








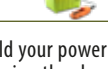


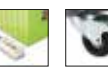








## HYDRAULIC PUMPS

**LARZEP** Pumps are available in a wide range of models: Hand pumps, Air hydraulic pumps, Modular pumps, Manual, Electric, Air and Petrol hydraulic powerpacks, Split-Flow powerpacks, Hydrotest pumps, Battery powered pumps, Torque wrench pumps.

- ✓ 700 bar pumps as standard.
- ✓ 700 and 1.000 bar air hydraulic pumps.
- ✓ From 20 to 2.900 bar hydrotest pumps.
- ✓ Air, electric and hand operated hydrotest pumps.
- ✓ Wide range of reservoirs, from 240cc in hand pumps to 150 litres in standard powerpacks.
- ✓ Possibility to manufacture powerpacks up to 1.000 litres.
- ✓ Powerpacks according to ATEX standards upon request.



# PUMPS

Models	Pump type	Max. Oil Capacity litre	Max. Flow Rate l/min cm <sup>3</sup> /stroke		Page
<b>W</b>	Hydraulic Single Acting Hand Pumps	7,5	4,6 cm <sup>3</sup> /stroke		80
<b>X</b>	Hydraulic Double Acting Hand Pumps	7,5	4,6 cm <sup>3</sup> /stroke		80
<b>WA</b>	Hydraulic Aluminium Hand Pumps	1,1	3,1 cm <sup>3</sup> /stroke		82
<b>WA</b>	Hydraulic Aluminium Hand Pump 2.800 bar	1,0	0,65 cm <sup>3</sup> /stroke		84
<b>Z - ZR</b>	Air Hydraulic Pumps 700 bar	20	0,14		86
<b>Z</b>	Air Hydraulic Pumps 1.000 bar	4	0,08		86
<b>HBM</b>	Hydraulic Powerpacks Manual valve	100	3,28		88
<b>HBE</b>	Hydraulic Powerpacks Solenoid valve	100	3,28		90
<b>HBM - HBE</b>	HBM and HBE Powerpacks Selection Tables			Build your powerpack using the charts	92
<b>HAZ</b>	Air Driven Hydraulic Pumps	100	2,2		94
<b>HAG</b>	Petrol Hydraulic Pumps	50	0,36		95
<b>B - C - D - H P - R</b>	Accessories for Powerpacks				96
<b>HFM - HFE</b>	Split-Flow Powerpacks	150	2,0		98
<b>WI</b>	Modular Hand Pumps		36 cm <sup>3</sup> /stroke		100
<b>HAB</b>	Battery Powered Portable Hydraulic Pump	2,3	0,16		101
<b>HAP</b>	Air Driven Hydrotest Pumps	7	3,5		102
<b>WAP - WIP</b>	Hydrotest Hand Pumps	100	20		104
<b>HEP</b>	Electric Hydrotest Pumps	100	15 cm <sup>3</sup> /stroke		106
<b>HAT</b>	Torque Wrench Pumps	14	0,36		108

**HYDRAULIC HAND PUMPS**



**W Single acting**



**X Double acting**

- ✓ W series pumps are for use with Single Acting cylinders.
- ✓ X series pumps are fitted with 4-way 3 position valve for use with Double Acting cylinders.
- ✓ The pump range includes single and two speed models. Two speed models provide rapid cylinder advance until contact is made with the load.
- ✓ Hydraulic port on all models is 3/8"-NPT female.
- ✓ W and X series pumps are fitted with internal safety valves to prevent overpressure.
- ✓ WP21007 and XP21007 models are foot pedal operated.
- ✓ All pumps except W00307 are fitted with handle clips for ease of carrying.

**SINGLE ACTING**

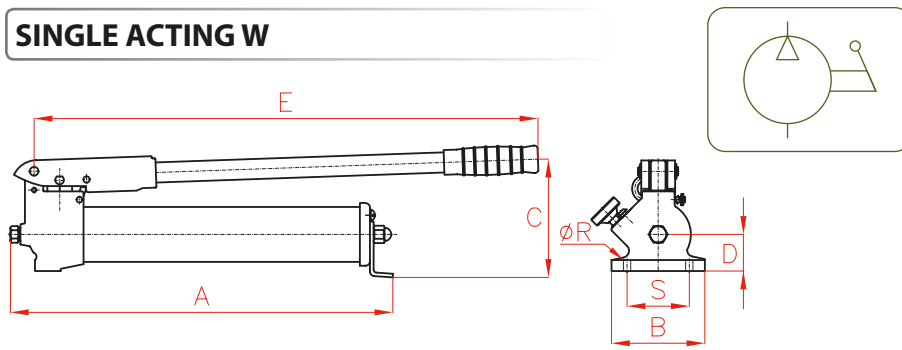
Model	Speeds	Usable oil	Handle effort	
LARZEP	No.	cm <sup>3</sup>	kg	
W00307	1	240	51	
W10707	1	660	49	
W20707	2	660	49	
WP21007	2	1.000	43	
W11207	1	1.200	49	
W21207	2	1.200	49	
W22307	2	2.400	49	
W24307	2	4.200	49	
W07807	2	7.500	41	

**DOUBLE ACTING**

Model	Speeds	Usable oil	Handle effort	
LARZEP	No.	cm <sup>3</sup>	kg	
XP21007	2	1.000	43	
X22307	2	2.400	49	
X24307	2	4.200	49	
X07807	2	7.500	41	



**SINGLE ACTING W**

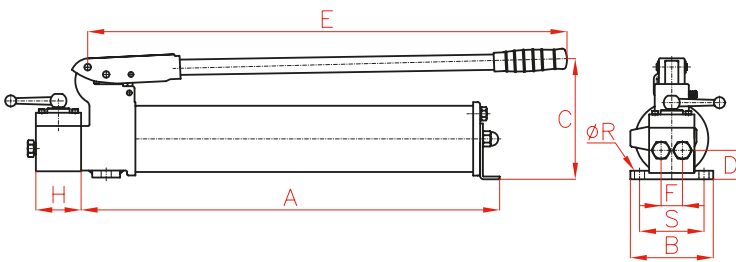


Type **W - X**

Capacity **0,24 - 7,5 litres**

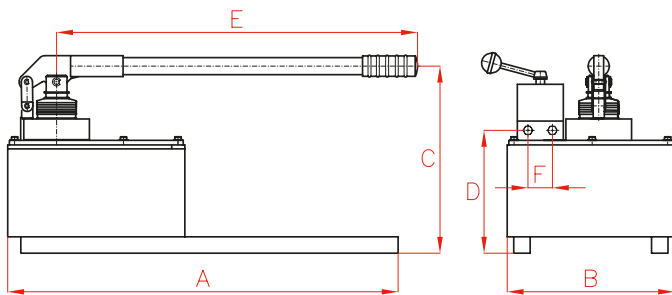
Max. pressure **700 bar**

**DOUBLE ACTING X**



WP21007 pump, foot pedal operated.

**W07807 / X07807**



W07807, X07807 pumps.

	Oil displacement per stroke (cm <sup>3</sup> )		Pressure rating (bar)		A	B	C	D	E	R	S	Weight kg	Model
	1 <sup>st</sup> Stage	2 <sup>nd</sup> Stage	1 <sup>st</sup> Stage	2 <sup>nd</sup> Stage	mm	mm	mm	mm	mm	mm	mm		
	-	2,2	-	700	350	100	110	25	380	-	-	2,7	W00307
	-	2,6	-	700	500	100	150	40	560	-	-	5,5	W10707
	8,1	2,0	20	700	500	100	150	40	560	-	-	5,5	W20707
	12,0	2,0	50	700	582	189	445*	52	540	9	185	9,0	WP21007
	-	2,6	-	700	545	100	175	40	560	-	-	6,5	W11207
	8,1	2,0	20	700	545	100	175	40	560	-	-	6,5	W21207
	13,2	2,2	20	700	560	108	210	55	560	8,5	86	12,0	W22307
	16,5	2,8	20	700	570	108	210	75	560	8,5	86	20,0	W24307
	120,0	4,6	10	700	610	242	250	232	643	-	-	30,0	W07807

\* with the pedal completely open

	Oil displacement per stroke (cm <sup>3</sup> )		Pressure rating (bar)		A	B	C	D	E	F	H	R	S	Weight kg	Model
	1 <sup>st</sup> Stage	2 <sup>nd</sup> Stage	1 <sup>st</sup> Stage	2 <sup>nd</sup> Stage	mm	mm	mm	mm	mm	mm	mm	mm	mm		
	12,0	2,0	50	700	550	197	445*	52	540	-	-	9	185	9,0	XP21007
	13,2	2,2	20	700	560	108	210	55	560	40	50	8,5	86	14	X22307
	16,5	2,8	20	700	570	108	210	75	560	40	50	8,5	86	23	X24307
	120,0	4,6	10	700	610	242	250	232	643	30	-	-	-	32	X07807



**HYDRAULIC ALUMINIUM HAND PUMPS**



- ✓ WA series pumps are for use with Single Acting cylinders.
- ✓ Lightweight aluminium pumps, ideal for easy portability and handling.
- ✓ Two speed models to provide rapid cylinder advance until contact is made with the load.
- ✓ Hydraulic outlet port: 3/8"-NPT female.
- ✓ Fitted with safety valves to prevent overpressure.
- ✓ Fitted with handle clip for ease of carrying.

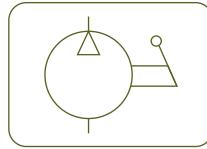
Model	Usable oil cm <sup>3</sup>	Handle effort kg	Oil displacement per stroke (cm <sup>3</sup> )		Pressure rating (bar)		Weight kg
			1 <sup>st</sup> Stage	2 <sup>nd</sup> Stage	1 <sup>st</sup> Stage	2 <sup>nd</sup> Stage	
LARZEP							
WA20507	500	29	13,4	2,6	20	700	3,7
WA21107	1.100	43	15,0	3,1	20	700	5,0



**AZ3**  
Coupler 3/8"-18 NPT



P.114



**AV - AVD - AT - AY**  
Pressure Gauges



23

**HYDRAULIC ALUM. HAND PUMPS**



Type

**WA**

Capacity

**0,5 - 1,1 litres**

Max. pressure

**700 bar**

**WA21028**

Aluminium Hand Pumps, 2.800 bar



P.84

**W**  
Single Acting Hand Pumps

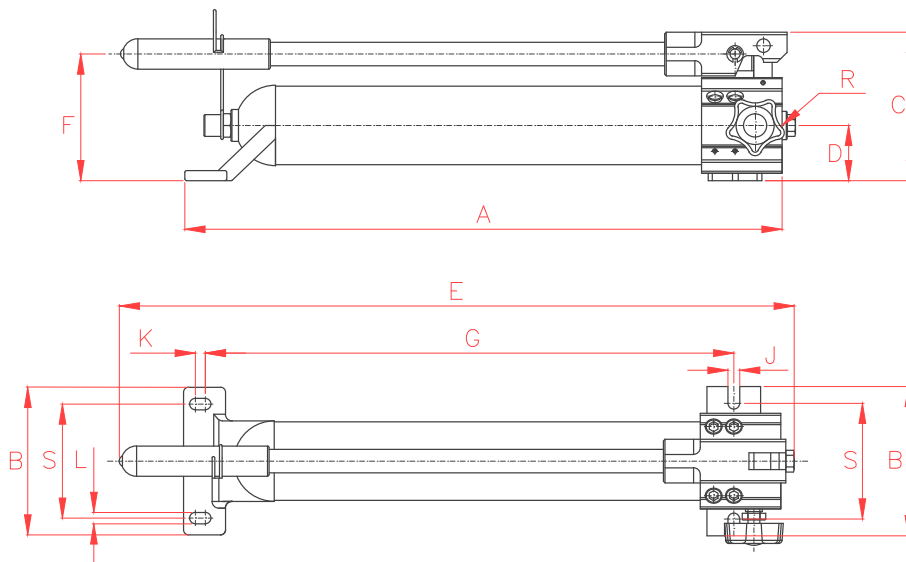


..30

**X**  
Double Acting Hand Pumps



P.80



A	B	C	D	E	F	G	H	J	K	L	R	Model
mm	mm	mm	mm	mm	mm	mm	mm	mm	mm	mm	NPT	LARZEP
361	140	141	51	435	124	295,0	108	11,2	10	11,2	3/8"-NPT	<b>WA20507</b>
556	140	141	51	625	124	489,5	108	11,2	10	11,2	3/8"-NPT	<b>WA21107</b>

**ULTRA HIGH PRESSURE ALUMINIUM HAND PUMP (2.800 BAR)**



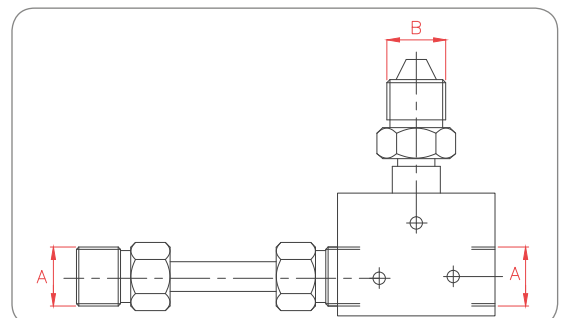
- ✓ WA series pumps are for use with Single Acting tools.
- ✓ Lightweight aluminium pump, ideal for easy portability and handling.
- ✓ Two speed models.
- ✓ Hydraulic outlet port: 3/4"-16 UNF female.
- ✓ Fitted with handle clip for ease of carrying.
- ✓ 3.000 bar accessories available: hoses, couplers, adaptors and gauge.

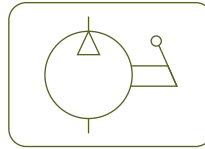
**3.000 BAR PRESSURE GAUGE**

Model	Pressure	Scale	Ext. Ø	Width	Thread	Model
LARZEP	bar	bar	mm	mm	mm	LARZEP
AV43010	3.000	50	100	60	Female M16x1.5	AZ1530

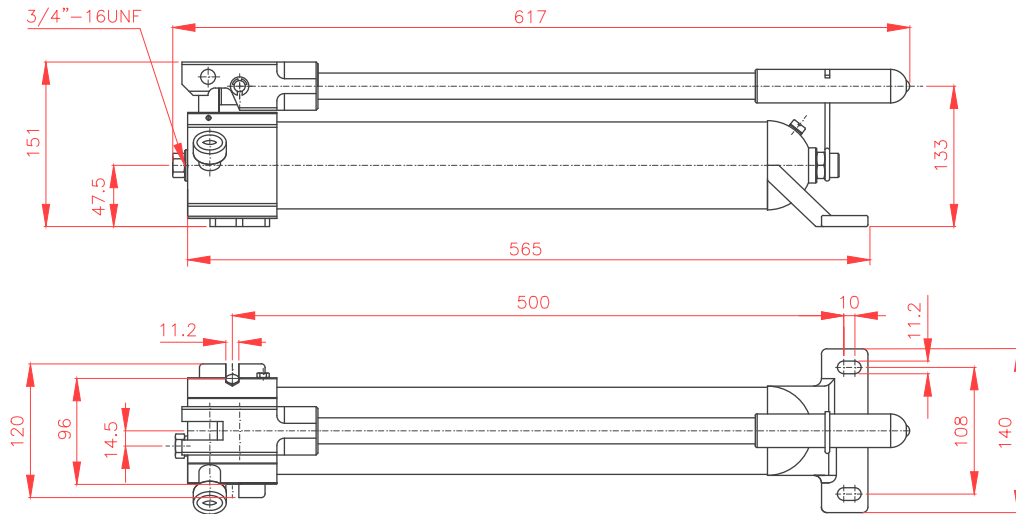
**3.000 BAR GAUGE ADAPTOR**

Model	A	B
LARZEP	60° Cone	60° Cone
AZ1530	3/4"-16 UNF	M16x1.5





Type	<b>WA</b>
Capacity	<b>1,0 litre</b>
Max. pressure	<b>2.800 bar</b>



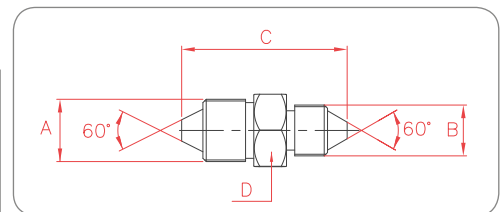
Model	Usable oil cm <sup>3</sup>	Handle effort kg	Oil displacement per stroke (cm <sup>3</sup> )		Pressure rating (bar)		Weight kg
			1 <sup>st</sup> Stage	2 <sup>nd</sup> Stage	1 <sup>st</sup> Stage	2 <sup>nd</sup> Stage	
<b>WA21028</b>	1.000	43	12,9	0,65	14	2.800	4,5

**HOSES MAXIMUM WORKING PRESSURE 3.000 BAR**

Int. Ø mm	End mm	Pressure bar	Length (m)							
			0,8	1,5	2	3	4	6	8	10
3,9	M16x1.5	3.000	<b>AP6008</b>	<b>AP6015</b>	<b>AP6020</b>	<b>AP6030</b>	<b>AP6040</b>	<b>AP6060</b>	<b>AP6080</b>	<b>AP6100</b>

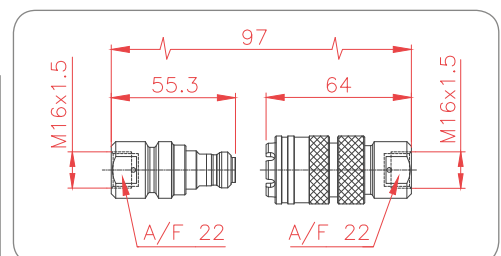
**3.000 BAR ADAPTOR**

Model	A	B	C	D
LARZEP	60° Cone	60° Cone	mm	mm
<b>AZ1107</b>	3/4"-16 UNF	M16x1.5	50	22



**3.000 BAR BALL COUPLERS**

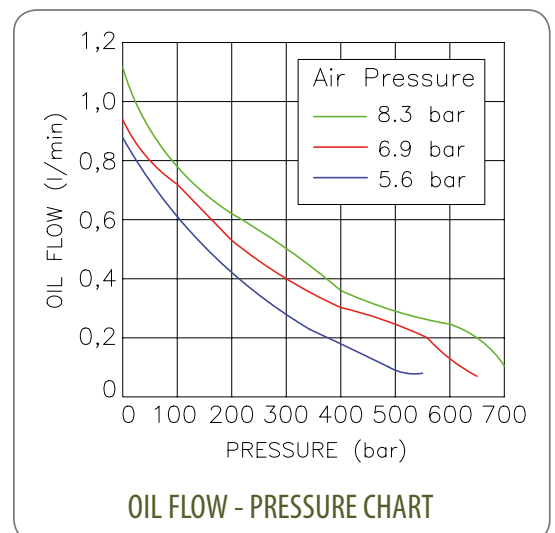
Flow l/min	Coupling	Model	Thread	Pressure bar
4,6	Male	<b>AZ3330</b>	Female M16x1.5	3.000
	Female	<b>AZ3350</b>	Female M16x1.5	3.000



## AIR HYDRAULIC PUMPS

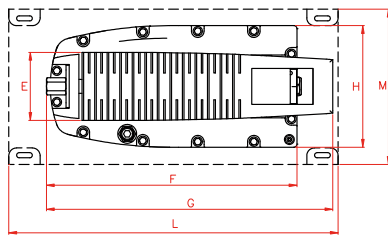
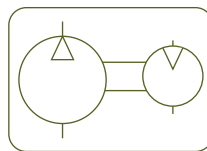
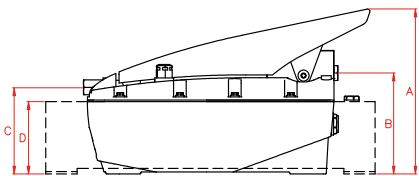


- ✓ On Z models for Single Acting cylinders, the pedal acts as the control valve, by controlling advance, hold and retract functions. In 'hold' mode, the pump maintains the output pressure.
- ✓ On ZR models, operation is controlled by a remote pendant.
- ✓ Double Acting models are fitted with a manual 4-way 3 position control valve.
- ✓ The hydraulic port on all models is 3/8"-NPT female.
- ✓ Working pressures 700 bar and 1.000 bar.
- ✓ Easily accessible adjustable relief valve.
- ✓ 4, 7, 10 and 20 litre pumps are fitted with steel tanks.
- ✓ Optional steel base plate available for Z12107 part number.
- ✓ Aluminium free models available as special.
- ✓ Air Inlet Port: 1/4" BSP female.
- ✓ Air Pressure: 2,8 - 10 bar.
- ✓ Air Consumption: 400 N l/min.
- ✓ 700 bar Flow Rate: 0,14 l/min.
- ✓ 1.000 bar Flow Rate: 0,08 l/min.
- ✓ Sound level: 75 dBA

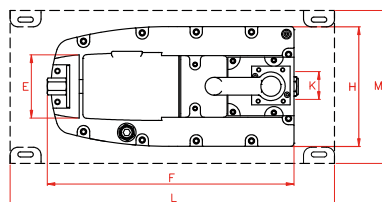
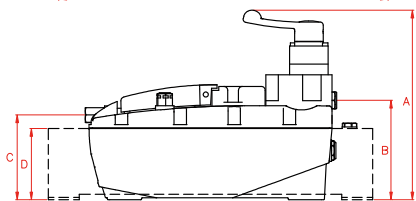




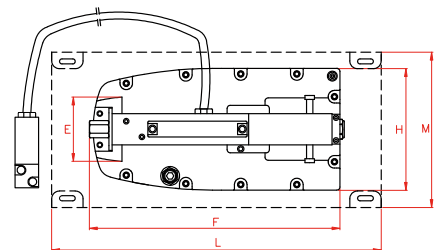
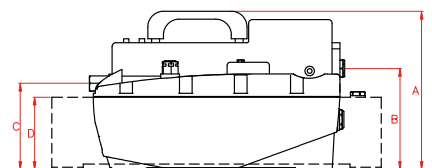
Models:  
Z12107  
Z14007  
Z17007  
Z19107  
Z19207  
Z12110  
Z14010



Models:  
Z22107  
Z24007  
Z27007  
Z29107  
Z29207



Models:  
ZR12107  
ZR14007  
ZR17007  
ZR19107  
ZR19207



Type **Z - ZR**

Capacity **2,1 - 20 litres**

Max. pressure **700 - 1.000 bar**

**700 BAR WORKING PRESSURE**

Type	Oil capacity	Model	A	B	C	D	E	F	G	H	K	L	M	Weight
	litres	LARZEP	mm	mm	mm	mm	mm	mm	mm	mm	mm	mm	mm	kg
Single Acting	2,1	Z12107	209	127	109	-	82	320	364	155	-	-	-	7,6
Single Acting	4,0	Z14007	256	173	154	137	82	320	364	155	-	350	178	14,4
Single Acting	6,9	Z17007	256	173	154	137	82	320	364	155	-	415	206	19,2
Single Acting	10,0	Z19107	278	198	180	162	82	320	364	155	-	430	220	21,8
Single Acting	20,0	Z19207	278	198	180	162	82	320	364	155	-	500	356	29,1
Double Acting	2,1	Z22107	245	131	110	-	82	320	-	155	36	-	-	8,4
Double Acting	4,0	Z24007	290	176	154	137	82	320	-	155	36	350	178	15,2
Double Acting	6,9	Z27007	290	176	154	137	82	320	-	155	36	415	206	20,4
Double Acting	10,0	Z29107	315	201	180	162	82	320	-	155	36	430	220	23
Double Acting	20,0	Z29207	315	201	180	162	82	320	-	155	36	500	356	30,3
Single Acting	2,1	ZR12107	217	129	111	-	82	316	-	155	-	-	-	8,6
Single Acting	4,0	ZR14007	261	173	155	137	82	316	-	155	-	350	178	15,2
Single Acting	6,9	ZR17007	261	173	155	137	82	316	-	155	-	415	206	20,4
Single Acting	10,0	ZR19107	286	198	180	162	82	316	-	155	-	430	220	23
Single Acting	20,0	ZR19207	286	198	180	162	82	316	-	155	-	500	356	30,3
Double Acting	2,1	ZR22107	213	127	109	-	82	325	-	155	36	-	-	8,6
Double Acting	4,0	ZR24007	258	172	154	137	82	325	-	155	36	350	178	15,2
Double Acting	6,9	ZR27007	258	172	154	137	82	325	-	155	36	415	206	20,4

**1.000 BAR WORKING PRESSURE**

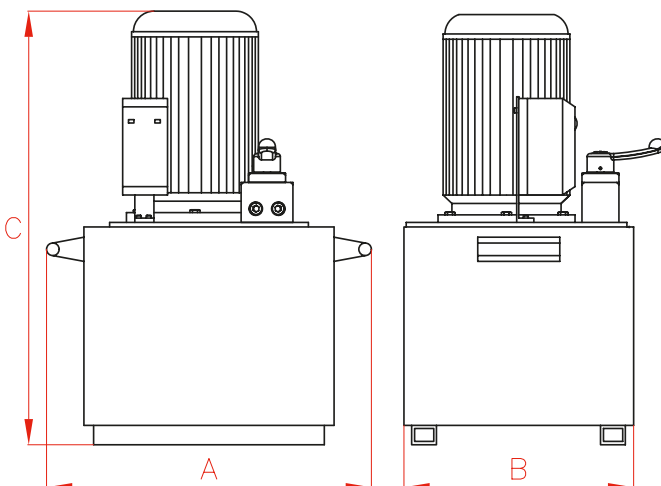
Type	Oil capacity	Model	A	B	C	D	E	F	G	H	K	L	M	Weight
	litres	LARZEP	mm	mm	mm	mm	mm	mm	mm	mm	mm	mm	mm	kg
Single Acting	2,1	Z12110	209	127	109	-	87	320	364	155	-	-	-	7,6
Single Acting	4,0	Z14010	221	139	120	104	87	320	364	155	-	420	240	14,4

**HYDRAULIC ELECTRIC PUMPS (MANUAL VALVE)**



- ✓ Manual directional control valves.
- ✓ Also available HBE model, remote pendant controlled solenoid valves.
- ✓ The manual control valve is easily converted from double acting to single acting operation.
- ✓ Internal safety valve set at 700 bar to prevent overpressure.
- ✓ External adjustable pressure relief valve.
- ✓ For use with single acting or double acting cylinders for heavy lifting or production applications.
- ✓ Options: roll bars, heat exchanger, pressure gauge (glycerine or digital), wheel kit, pedal and push button remote motor control.

NOTE: Pressure gauge is not included.



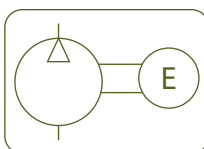
Capacity	A	B	C
l	mm	mm	mm
5	330	230	500
8,5	350	250	525
12,5	370	290	550
25	470	360	670
50	540	415	750
100	830	500	840



**PUMP**  
Accessories



P.96



**HYDRAULIC POWERPACKS**



Type **HBM**

Capacity **5 - 100 litres**

Max. pressure **700 bar**

50-60 Hz 3 phase								
Tank	Flow at 700 bar	Flow at 50 bar	230 V		380V/415V		Power	Weight
l	l/min	l/min	S/A	D/A	S/A	D/A	kW	kg
5	0,36	4,00	HBM7222	HBM7242	HBM7224	HBM7244	0,75	21
8,5	0,54	5,90	HBM3322	HBM3342	HBM3324	HBM3344	1,10	30
12,5	0,54	5,90	HBM3422	HBM3442	HBM3424	HBM3444	1,10	38
12,5	0,82	8,64	HBM4422	HBM4442	HBM4424	HBM4444	1,10	40
25	1,64	14,00	HBM5522	HBM5542	HBM5524	HBM5544	2,20	78
25	3,28	11,77	HBM6522	HBM6542	HBM6524	HBM6544	5,50	90
50	1,64	14,00	HBM5622	HBM5642	HBM5624	HBM5644	2,20	130
50	3,28	11,77	HBM6622	HBM6642	HBM6624	HBM6644	5,50	160
100	3,28	11,77	HBM6722	HBM6742	HBM6724	HBM6744	5,50	240

50 Hz Single Phase								
Tank	Flow at 700 bar	Flow at 50 bar	115V		230 V		Power	Weight
l	l/min	l/min	S/A	D/A	S/A	D/A	kW	kg
5	0,36	4,00	HBM7225	HBM7245	HBM7221	HBM7241	0,75	29
8,5	0,54	5,90	HBM3325	HBM3345	HBM3321	HBM3341	1,10	38
12,5	0,54	5,90	HBM3425	HBM3445	HBM3421	HBM3441	1,10	46
12,5	0,82	8,64	HBM4425	HBM4445	HBM4421	HBM4441	1,50	48

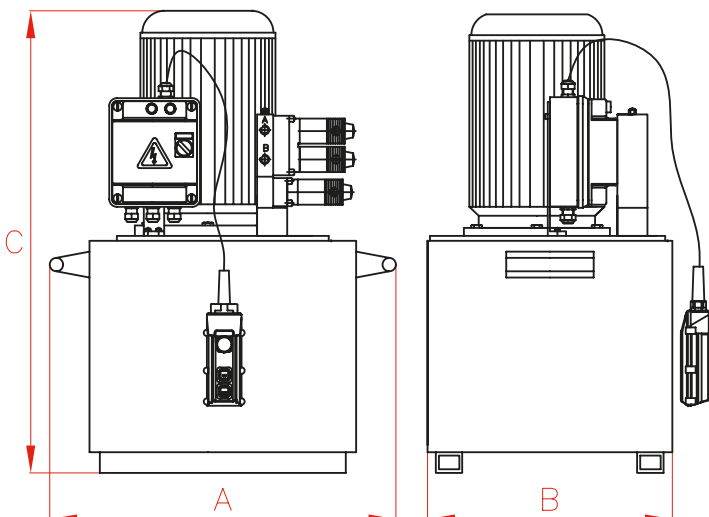
60 Hz Single Phase								
Tank	Flow at 700 bar	Flow at 50 bar	115V		230 V		Power	Weight
l	l/min	l/min	S/A	D/A	S/A	D/A	kW	kg
5	0,36	4,00	HBM7226	HBM7246	HBM7223	HBM7243	0,75	29
8,5	0,54	5,90	HBM3326	HBM3346	HBM3323	HBM3343	1,10	38
12,5	0,54	5,90	HBM3426	HBM3446	HBM3423	HBM3443	1,10	46
12,5	0,82	8,64	HBM4426	HBM4446	HBM4423	HBM4443	1,50	48

**HYDRAULIC ELECTRIC PUMPS (SOLENOID VALVE)**



- ✔ Remote pendant controlled solenoid valves with up, down and emergency stop button.
- ✔ Internal safety valve set at 700 bar to prevent overpressure.
- ✔ External adjustable pressure relief valve.
- ✔ For use with single acting or double acting cylinders for heavy lifting or production applications.
- ✔ Supplied with a 3 metre cable with remote pendant.
- ✔ Options: roll bars, heat exchanger, pressure gauge (glycerine or digital), wheel kit, pedal and push button remote motor control.

NOTE: Pressure gauge is not included.



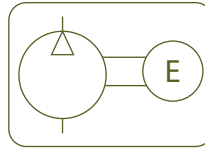
Capacity	A	B	C
l	mm	mm	mm
5	370	230	500
8,5	390	310	525
12,5	410	390	550
25	470	360	670
50	540	415	750
100	830	500	840



**PUMP**  
Accessories



P.96



**HYDRAULIC POWERPACKS**



Type

**HBE**

Capacity

**5 - 100 litres**

Max. pressure

**700 bar**

50-60 Hz 3 phase								
Tank	Flow at 700 bar	Flow at 50 bar	230 V		380V/415V		Power	Weight
l	l/min	l/min	S/A	D/A	S/A	D/A	kW	kg
5	0,36	4,00	HBE7262	HBE7272	HBE7264	HBE7274	0,75	27
8,5	0,54	5,90	HBE3362	HBE3372	HBE3364	HBE3374	1,10	35
12,5	0,54	5,90	HBE3462	HBE3472	HBE3464	HBE3474	1,10	43
12,5	0,82	8,64	HBE4462	HBE4472	HBE4464	HBE4474	1,10	45
25	1,64	14,00	HBE5562	HBE5572	HBE5564	HBE5574	2,20	83
25	3,28	11,77	HBE6562	HBE6572	HBE6564	HBE6574	5,56	95
50	1,64	14,00	HBE5662	HBE5672	HBE5664	HBE5674	2,20	135
50	3,28	11,77	HBE6662	HBE6672	HBE6664	HBE6674	5,50	165
100	3,28	11,77	HBE6762	HBE6772	HBE6764	HBE6774	5,50	245

50 Hz Single Phase								
Tank	Flow at 700 bar	Flow at 50 bar	115V		230 V		Power	Weight
l	l/min	l/min	S/A	D/A	S/A	D/A	kW	kg
5	0,36	4,00	HBE7265	HBE7275	HBE7261	HBE7271	0,75	35
8,5	0,54	5,90	HBE3365	HBE3375	HBE3361	HBE3371	1,10	44
12,5	0,54	5,90	HBE3465	HBE3475	HBE3461	HBE3471	1,10	52
12,5	0,82	8,64	HBE4465	HBE4475	HBE4461	HBE4471	1,50	64

60 Hz Single Phase								
Tank	Flow at 700 bar	Flow at 50 bar	115V		230 V		Power	Weight
l	l/min	l/min	S/A	D/A	S/A	D/A	kW	kg
5	0,36	4,00	HBE7266	HBE7276	HBE7263	HBE7273	0,75	35
8,5	0,54	5,90	HBE3366	HBE3376	HBE3363	HBE3373	1,10	44
12,5	0,54	5,90	HBE3466	HBE3476	HBE3463	HBE3473	1,10	52
12,5	0,82	8,64	HBE4466	HBE4476	HBE4463	HBE4473	1,50	64



## HYDRAULIC POWERPACKS HBM, HBE SELECTION TABLES

- ✓ LARZEP 700 bar Electric Hydraulic Powerpacks provide high performance in a compact package with super quiet operation.

The range of powerpacks includes:

1. Manual directional control valves (HBM versions) or remote pendant controlled solenoid valves (HBE versions).
2. Seven different pumps, two speeds, from 0.36 to 3.28 l/min at 700 bar.
3. Six tank sizes from 5 to 100 litre capacity.
4. Eight control valves, 2, 3 and 4 ways and 2 or 3 positions.
5. Single-phase (115V or 230V) or three-phase motor (230V or 400/415V).
6. Options: Remote pendant, oil cooler, roll bar, wheel kit, pedal and glycerine or digital gauge.

The powerpacks are available in configurations to suit single acting or double acting cylinders for heavy lifting or production applications.

### 1. POWERPACK MODEL Build your powerpack using the charts numbered from 2 to 6

HB	1. Operation	2. Pump	3. Tank	4. Valve HBM	4. Valve HBE	5. Motor	6. Options
	M (Manual)	-	-	0	-	1	B Remote Pendant (For HBM)
	E (Solenoid)	-	2	1	-	2	C Roll Bar
		3	3	2	-	3	D Digital Gauge
		4	4	4	-	4	G Glycerine Gauge
		5	5	-	5	5	H Oil cooler
		6	6	-	6	6	P Foot Switch
		7	7	-	7	-	R Wheels
		-	-	8	-	-	
<b>HB</b>	<b>E</b>	<b>3</b>	<b>4</b>	<b>-</b>	<b>7</b>	<b>2</b>	<b>CR</b>

Example



If you need any help ordering a Powerpack please contact our Internal Sales department.

Type: **HBE3472CR**  
1 2 3 4 5 6

HBE: Hydraulic Powerpack with (E) Solenoid Valve  
 3: 2 speed pump, 5,90 - 0,54 l/min flow  
 4: 12,5 litre tank  
 7: 4/3 valve, double acting  
 2: 3 phase, 230V, 50/60 Hz motor  
 CR: with roll bar and wheels



## 2. PUMP MODEL

Pump	No. of speeds	Oil flow (l/min) at low pressure	Oil flow (l/min) at 700 bar	Minimum tank size (l)	3 phase kW	Single phase kW
3	2	5,90	0,54	8,5	1,10	1,10
4	2	8,64	0,82	12,5	1,10	1,50
5	2	14,00	1,64	25	2,20	-
6	2	11,77	3,28	25	5,50	-
7	2	4,00	0,36	5	0,75	0,75

Higher power series 5 and 6 pumps (2,2kW and 5,5kW) are not available in single phase versions.

## 3. TANK MODEL

Tank	Oil effective capacity (l)	Length (mm)	Width (mm)	Height (mm)	Material
2	5	≤370	230	500	Aluminium
3	8,5	≤390	≤310	525	Aluminium
4	12,5	≤410	≤390	550	Aluminium
5	25	470	360	760	Steel
6	50	540	415	750	Steel
7	100	830	500	840	Steel

### Pump / Tank combinations.

Pump / Tank combinations shown in green are standard. Other possible combinations are shown in white or grey.

Standard	5 L	8,5 L	12,5 L	25 L	50 L	100 L
2 Speed Pump/Tank	72	73	74	75		
		33	34	35	36	
			44	45	46	
				55	56	
				65	66	67

Higher power series, 5 and 6 pumps (2.2 kW and 5.5 kW) are not available in single phase versions.

## 4. VALVE MODEL

Valve	Ways / Positions	Function	Single / Double acting	Locking*
0	2/2	Advance-Retract auto	Single	No
1	3/2	Advance-Retract	Single	Yes
2	3/3	Advance-Hold-Retract	Single	Yes
4	4/3	Advance-Hold-Retract	Double	Yes
5	3/2	Advance-Retract	Single	No
6	3/3	Advance-Hold-Retract	Single	No
7	4/3	Advance-Hold-Retract	Double	No
8	4/1	No valve	--	--

\* Locking valves stays in the selected position. For Non locking valves, the handle or push button must be continuously pressed to deliver oil.

## 5. MOTOR MODEL

Motor	Voltage (V)	Phases	Hz
1	230	1	50
2	230	3	50/60
3	230	1	60
4	380/415	3	50/60
5	115	1	50
6	115	1	60

## 6. OPTIONS



## AIR HYDRAULIC PUMPS



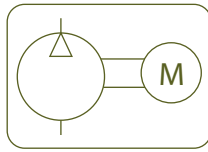
Type

**HAZ**

Capacity **14 - 100 litres**

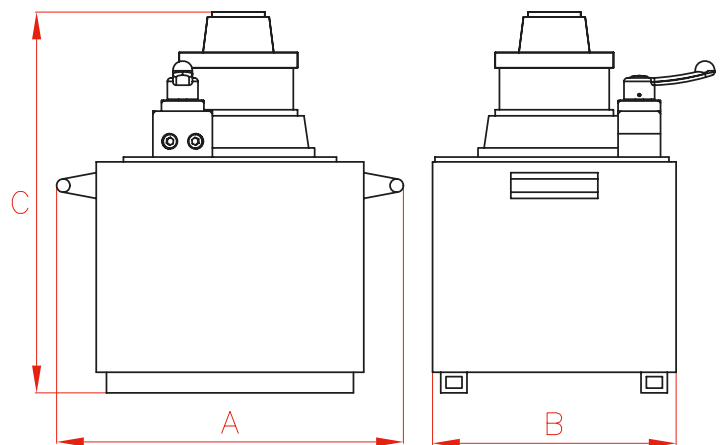
Max. pressure **700 bar**

## AIR DRIVEN HYDRAULIC PUMPS



- ✓ Powered by a rotary vane air motor suitable for use in hazardous environments.
- ✓ The manual control valve is easily converted from double acting to single acting operation.
- ✓ Internal safety valve set at 700 bar to prevent overpressure.
- ✓ External adjustable pressure relief valve.
- ✓ Roll bar and wheel kits available as options on request.

Capacity	A	B	C
l	mm	mm	mm
14	368	290	410
25	450	325	540
50	540	415	742
100	830	500	812

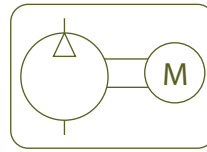


Tank	Flow at 700 bar	Flow at 60 bar	Air consump. at 5,6 bar	Valve Function	Single/A	Double/A	Power	Weight
l	l/min	l/min	l/sec				kW	kg
14	0,36	4	30	Advance-Hold-Retract	HAZ742	HAZ744	3,0	32
25	1,17	-	50	Advance-Hold-Retract	HAZ452	HAZ454	3,7	57
50	2,20	-	80	Advance-Hold-Retract	HAZ562	HAZ564	6,6	109
100	2,20	11*	80	Advance-Hold-Retract	HAZ872	HAZ874	6,6	184

\* Flow at 100 bar



PETROL HYDRAULIC PUMPS

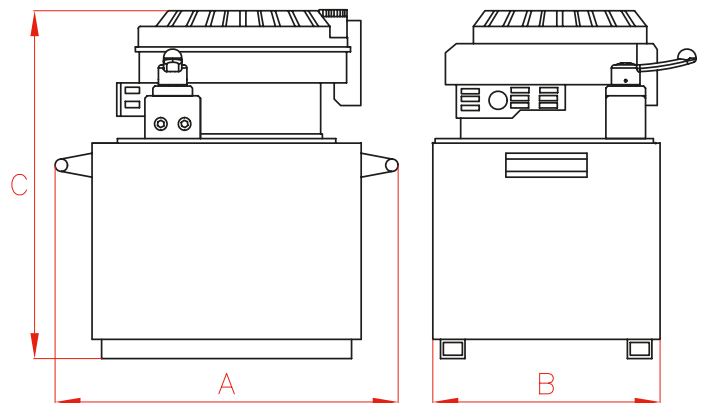


Type	<b>HAG</b>
Capacity	14 - 50 litres
Max. pressure	700 bar

HAG PUMPS

- ✓ Powered by a gasoline engine. For operation in remote locations where electric supply is not available.
- ✓ The manual control valve is easily converted from double acting to single acting operation.
- ✓ Internal safety valve set at 700 bar to prevent overpressure.
- ✓ External adjustable pressure relief valve.
- ✓ Roll bar and wheel kits available as options on request.

Capacity	A	B	C
l	mm	mm	mm
14	368	290	665
25	450	325	760
50	540	415	860



Tank	Flow at 700 bar	Flow at 60 bar	Valve Function	Single/A	Double/A	Power	Weight
l	l/min	l/min				kW	kg
14	0,36	4	Advance-Hold-Retract	<b>HAG742</b>	<b>HAG744</b>	3,6	36
25	0,36	4	Advance-Hold-Retract	<b>HAG752</b>	<b>HAG754</b>	3,6	60
50	0,36	4	Advance-Hold-Retract	<b>HAG762</b>	<b>HAG764</b>	3,6	93

## ACCESSORIES FOR POWERPACKS

### B Remote Pendant



- ✓ With 3 metre long cable.
- ✓ For the remote operation of the motor in HBM series, 'ON' button starts the motor and it stops when the button is released.
- ✓ HBE series are supplied with the remote pendant as standard, with up, down and emergency stop button.
- ✓ Remote pendant is not available for HAG and HAZ.

### H Oil Cooler



- ✓ It is used when the powerpack is used continuously.
- ✓ Stabilizes oil viscosity.

### C Roll Bar



- ✓ Protects pump and its components: motor, valves, etc
- ✓ For easy portability.
- ✓ Different sizes available.







## R Wheel Kit



- ✓ Makes powerpacks easy to move.
- ✓ Two wheels supplied with brake.

## P Pedal



- ✓ Optional instead of remote pendant.
- ✓ With 3 metre long cable.
- ✓ For the remote operation of the motor in HBM series.
- ✓ For the remote operation of the movements in HBE series.

## D Digital Gauge



- ✓ Excellent stability and accuracy:
- ✓  $\pm 0,1-0,5$  % Full Scale (FS)
- ✓ For reliable pressure measurement.
- ✓ Digital pressure measurement and back-lit display.
- ✓ Easy operation.
- ✓ Pressure range: 0-1000 bar.

**SPLIT-FLOW POWERPACKS**

- ✓ Simultaneous lifting system to power 4 or 8 single or double acting cylinders.
- ✓ Simultaneous lifting with less than 4% flow difference between outlets.
- ✓ Manual directional control valves (HFM versions) or remote pendant controlled solenoid valves (HFE versions).
- ✓ Suitable for most of the applications where a uniform lifting is required.
- ✓ HFE solenoid valve powerpacks are supplied with a remote pendant with 5 metre cable.
- ✓ Remote pendant allows independent control of the lifting or lowering.
- ✓ Options: roll bars, oil cooler, wheel kit and remote control, to motor control (HFM).

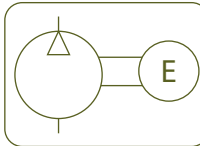
**SPLIT-FLOW**  
Accessories

P.96





HFE



Type	<b>HFM HFE</b>
Capacity	100 - 150 litres
Max. pressure	700 bar

**AZ5255**  
Single Way Flow Regulating Valve



P.123

**AZ3**  
Coupler 3/8" - 18 NPT



P.114

**AZ8 - AZ9**  
Directional control valves



P.122

**Remote Pendant in HFE**

- ✓ Allows the individual or simultaneous movement of each cylinder when lifting or lowering.
- ✓ Advance/retract switch selects the position of the solenoid valves.
- ✓ Individual buttons for each cylinder to operate them independently or at the same time.
- ✓ Simultaneous button moves all the jacks at the same time.
- ✓ To improve the control over lowering of the cylinders it is highly recommended to use AZ5255 lowering valves.
- ✓ To make the retraction of single acting spring return cylinders easier, once the lifting is completed and the cylinders are not under load a switch in the electric box allows automatic retraction of the cylinder.



**HFM (MANUAL VALVE) / HFE (SOLENOID VALVE)**

380-415V / 50-60 Hz / 3 phase							
Outlets	Tank	Flow at 700 bar	Manual Valve HFM		Solenoid Valve HFE		Power
No.	l	l/min	Single/A	Double/A	Single/A	Double/A	kW
4	100	0,4	HFM46724	HFM46744	HFE46764	HFE46774	3,0
		0,9	HFM47724	HFM47744	HFE47764	HFE47774	5,5
		2,0	HFM49724	HFM49744	HFE49764	HFE49774	11,0
	150	0,4	HFM46824	HFM46844	HFE46864	HFE46874	3,0
		0,9	HFM47824	HFM47844	HFE47864	HFE47874	5,5
		2,0	HFM49824	HFM49844	HFE49864	HFE49874	11,0
8	150	1,3	HFM88824	HFM88844	HFE88864	HFE88874	15,0

Available 230V - 3 phase as special

## MODULAR HAND PUMPS



Type

**WI**

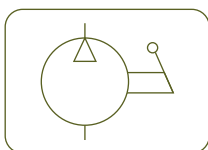
Capacity

-

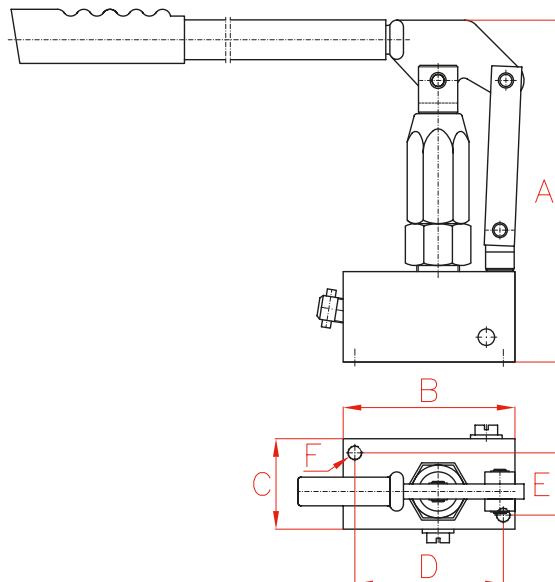
Max. pressure

40 - 700 bar

## MODULAR HAND PUMPS



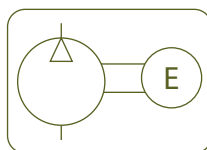
- ✓ Wide range with different working pressures.
- ✓ Lightweight with tapped holes in the base for easy mounting.
- ✓ All models are black nitrided.
- ✓ Designed for use with external reservoirs.
- ✓ Operating lever included.
- ✓ Tank is not included.



Working Pressure	Model	Max. Pressure	Piston ø	Oil per Stroke	Port Size	A	B	C	D	E	F	Weight
bar	LARZEP	bar	mm	cm <sup>3</sup>	NPT	mm	mm	mm	mm	mm	UNC	kg
700	<b>WI1400</b>	1.400	10	3	3/8"-18NPT	230	114	57	98,5	41,3	3/8"-16UNC	5,3
400	<b>WI700</b>	700	13	4	3/8"-18NPT	230	114	57	98,5	41,3	3/8"-16UNC	5,3
200	<b>WI210</b>	300	19	10	3/8"-18NPT	230	114	57	98,5	41,3	3/8"-16UNC	5,3
100	<b>WI100</b>	200	26	18	3/8"-18NPT	230	114	57	98,5	41,3	3/8"-16UNC	5,7
40	<b>WI040</b>	80	38	36	3/8"-18NPT	230	114	57	98,5	41,3	3/8"-16UNC	7,0



**BATTERY POWERED PORTABLE HYDRAULIC PUMP**



Type **HAB**

Capacity **2,3 litres**

Max. pressure **700 bar**

- ✓ 2,3 litre tank.
- ✓ Internal safety valve set at 700 bar to prevent overpressure.
- ✓ 3/2 valve with load holding position.
- ✓ Lightweight and easy portability.
- ✓ For use with cutters and crimping tools.
- ✓ Supplied with 2 batteries, 230V charger and a metal box.

**AP2**  
Hoses



P.112

Oil Capacity	Flow at 700 bar	Model	Voltage	Battery	Length	Width	Height	Weight
l	l/min	LARZEP	V	Ah	mm	mm	mm	kg
2,3	0,16	<b>HAB1102</b>	18	4	220	170	300	8,5

Battery	Voltage	Battery Life	Charger		Charging Temperature
Li-ion		Al/Steel Cable 570/40	Charging Time	Input	Output
Ah	V	Cuts	Minutes	V (AC) / Hz	V (DC) / A
4	18	70	40	220-240 / 50-60	18 / 4,0
					°C
					-10 to 40



## AIR DRIVEN HYDROTEST PUMPS



- ✓ 10 Models Available, from 70 bar to 2.900 bar.
- ✓ Engineered and designed for easy operation.
- ✓ Compact and lightweight steel frame for full protection and handling.
- ✓ Fully integrated, protected and calibrated pressure gauge.
- ✓ Clearly labelled controls for improved safety.
- ✓ Supplied with air inlet connector, air filter, air pressure regulator, air lubricator, air pressure gauge, air pressure limit valve, pump on/off control, oil pressure gauge.
- ✓ All pumps can work with water or oil.
- ✓ All pumps supplied complete with a full test certificate as standard.
- ✓ High pressure fittings and any length of high pressure hose available from stock.

Hydraulic Pressure Gauge: Dual scale bar/psi

Oil / Water Reservoir: 7 litres

Working Air Pressure: 1,7 to 6,9 bar

Air Inlet Port: 1/2" NPTF Female

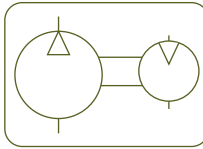
Air Consumption: 0,79 m<sup>3</sup>/min

Sound Level: 90 dBA

Weight: 30 kg



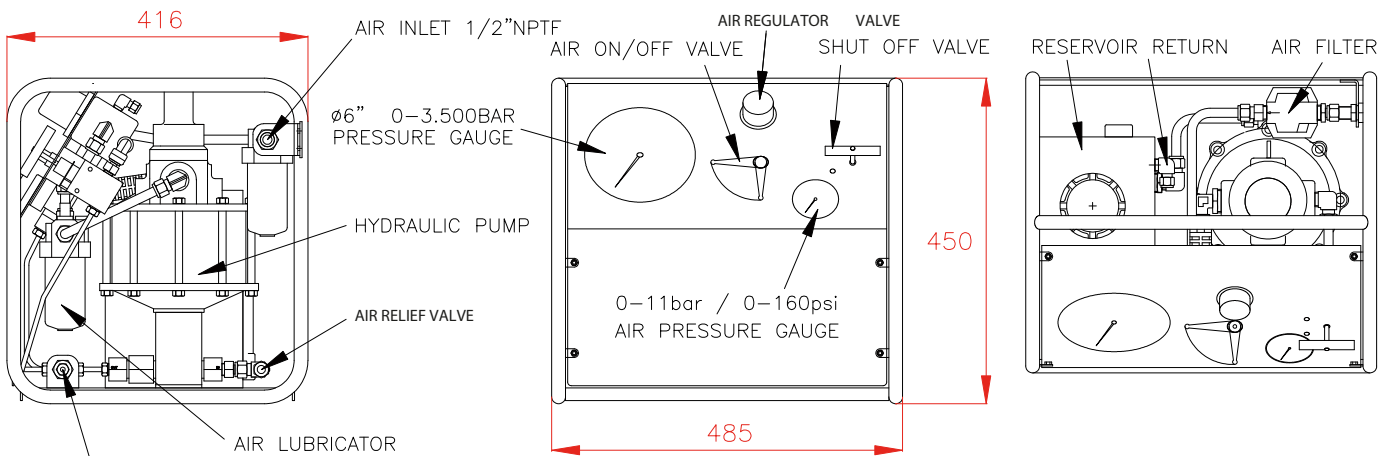
Options: **Chart recorders** Integral or free standing; Chart recorder pens and charts; Stroke counter; Stainless steel framework; External connection to liquid supply to increase available fluid during testing; USB connection for laptop including software.



Free standing Chart recorders:  
**HAPR19, HAPR28**



Type	<b>HAP</b>
Capacity	<b>7 litres</b>
Max. pressure	<b>70 - 2.900 bar</b>



OUTLET PORT\*

\* 3/8" NPTF FROM 70 TO 740 BAR

\* 9/16"-18UNF FROM 1300 TO 2900 BAR

**HYDROTEST PUMPS**

Hydrotest Pump	Maximum Hydraulic Pressure (bar)			Flow (l/min)			Outlet Port
	Air 6.9 bar	Air 5.1 bar	Air 4.1 bar	20% Max. P	50% Max. P	80% Max. P	
<b>LARZEP</b>							<b>Female</b>
<b>HAP0070</b>	70	55	40	16,2	11,0	3,7	3/8" NPT
<b>HAP0130</b>	130	100	80	8,5	6,0	3,9	3/8" NPT
<b>HAP0180</b>	180	150	100	6,1	4,7	2,6	3/8" NPT
<b>HAP0250</b>	250	200	150	4,1	3,1	2,0	3/8" NPT
<b>HAP0400</b>	400	320	240	2,6	1,8	1,2	3/8" NPT
<b>HAP0740</b>	740	600	440	1,2	0,9	0,6	3/8" NPT
<b>HAP1300</b>	1.300	1.000	770	0,65	0,5	0,3	9/16"-18UNF
<b>HAP1900</b>	1.900	1.500	1.100	0,4	0,3	0,2	9/16"-18UNF
<b>HAP2900</b>	2.900	2.300	1.800	0,25	0,2	0,1	9/16"-18UNF

**BOLT TENSIONER PUMP**

Bolt Tensioner Pump	Maximum Hydraulic Pressure (bar)			Flow (l/min)			Outlet Port
	Air 6.9 bar	Air 3.5 bar	Air 1.7 bar	20% Max. P	50% Max. P	80% Max. P	
<b>LARZEP</b>							<b>Coupler</b>
<b>HAP2900BT</b>	-	1.500	760	0,3	0,2	0,1	AZ3341

## HYDROTEST HAND PUMPS



- ✓ Tanks from 12 to 100 litres.
- ✓ 13 models available, from 25 bar to 1.300 bar.
- ✓ Engineered and designed for easy operation.
- ✓ WAP models with cast iron or mild steel frame.
- ✓ WIP models with stainless steel frame. Used by the Chemical industry or when aggressive liquids are used.
- ✓ Supplied with pressure gauge and control valve.
- ✓ All pumps can work with water.
- ✓ Pressure gauge: Dual scale bar / psi. / Class 1.6 up to 200 bar and Class 1.0 from 300 to 1.300 bar.

### WAP0025, WAP0035, WAP0045, WAP0050, WAP0100

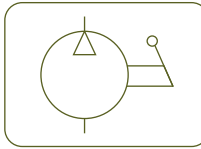
- ✓ Manufactured in cast iron for heavy duty and professional uses.
- ✓ Supplied with pressure gauge ø60 mm and double control valve, except model WAP0035 that is supplied with single control valve.

### WAP0300, WAP0500, WAP1000, WAP1300

- ✓ Hand pumps used for high pressure hydrostatic tests.
- ✓ 2 stages pumps with 100 litres tank manufactured in mild steel.
- ✓ Supplied with pressure gauge ø100 mm and control valve.



**WAP0040, WAP0070, WIP0040, WIP0200**



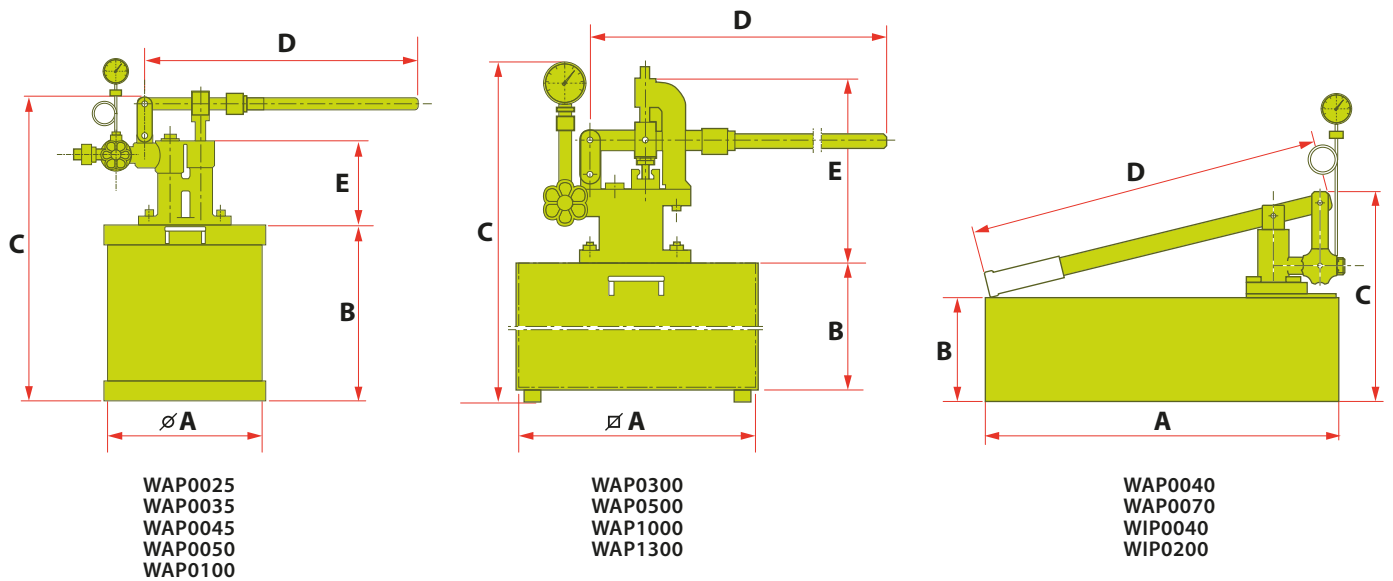
- ✓ Lightweight hand pumps manufactured in mild steel and stainless steel for use on bench in workshop hydrostatic tests.
- ✓ Supplied with pressure gauge ø60 mm, control valve and 13 litre tank.
- ✓ WIP0040 and WIP0200 models have stainless steel tanks. Used by the Chemical industry or when aggressive liquids are used.
- ✓ WAP0040 and WIP0040 pumps are supplied with 1.5 metre hose. These pumps are normally used on plumbing for heating plant testing.



Type **WAP - WIP**

Capacity **12 - 100 litres**

Max. pressure **25 - 1.300 bar**



WAP - WIP PUMPS

**CAST IRON AND MILD STEEL PUMPS - WAP**

Hydrotest Pump	Max. Pressure	Capacity	Flow / stroke	Material	Outlet Port	A	B	C	D	E	Weight
LARZEP	bar	litres	cc		BSP	mm	mm	mm	mm	mm	kg
WAP0025	25	12	11	Cast iron	3/8" Male	ø255	272	450	420	120	10
WAP0035	35	12	14	Cast iron	1/2" Female	ø255	272	430	350	100	8
WAP0045	45	21	14	Cast iron	3/8" Male	ø260	397	558	420	150	12
WAP0050	50	38	20	Cast iron	3/8" Male	ø390	397	558	683	150	22
WAP0100	100	38	20	Cast iron	3/8" Male	ø390	397	558	683	150	22
WAP0040	40	13	18	Mild steel	1/2" Male	500 x 190	140	280	500	-	8
WAP0070	70	13	11	Mild steel	1/2" Female	500 x 190	140	295	700	-	9
WAP0300	300	100	18 / 3,5	Mild steel	1/2" Female	500 x 500	400	800	800	400	54
WAP0500	500	100	18 / 3,5	Mild steel	1/2" Female	500 x 500	400	800	800	400	54
WAP1000	1.000	100	18 / 3,5	Mild steel	1/2" Female	500 x 500	400	800	1.000	400	60
WAP1300	1.300	100	18 / 3,5	Mild steel	1/2" Female	500 x 500	400	800	1.000	400	60

**STAINLESS STEEL PUMPS - WIP**

Hydrotest Pump	Max. Pressure	Capacity	Flow / stroke	Material	Outlet Port	A	B	C	D	Weight
LARZEP	bar	litres	cc		BSP	mm	mm	mm	mm	kg
WIP0040	40	13	18	Bronze & SS	1/2" Male	500 x 190	140	280	500	10
WIP0200	200	13	18	SS	1/2" Female	500 x 190	140	295	700	8

**ELECTRIC HYDROTEST PUMPS**

HEP0020

- ✓ 6 models available, from 20 bar to 500 bar.
- ✓ Engineered and designed for easy operation.
- ✓ HEP0050D model, without tank.
- ✓ HEP0500 model, without tank and on trolley.
- ✓ Supplied with pressure gauge and control valve.
- ✓ HEP0180 pump supplied with double control valve.
- ✓ All pumps, except HEP0180 model, are supplied with 1.5 metre hose.
- ✓ All pumps can work with water.
- ✓ Pressure gauge: Dual scale bar / psi. Class 1.6.



HEP0120 - HEP0250

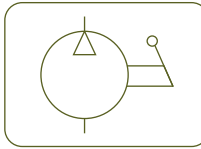


HEP0050D





**HEP0020**



- ✓ Working pressure: **20 bar**.
- ✓ Electric pump for filling, pouring, pressurizing and testing water systems and other non-oily liquids, such as antifreeze fluids. It can be connected directly to the water mains or tank. Maximum suction height 3 metres.
- ✓ Body of the pump made of anodized aluminium.
- ✓ Supplied with 1.5 metres hose, pressure gauge ø60 mm and control valve.

**HEP0050D**

- ✓ Working pressure: **50 bar**.
- ✓ Electric pump for filling, pouring, pressurizing and testing water systems and other non-oily liquids, such as antifreeze fluids.
- ✓ Supplied without tank. To be connected directly to the water mains.
- ✓ Lightweight and strong construction. Manufactured with anticorrosive and wear and tear resistant materials.
- ✓ Supplied with 1.5 metre hose, pressure gauge and control valve.

**HEP0120, HEP0180, HEP0250**

- ✓ Working pressure: **120, 180 and 250 bar**.
- ✓ Electric pump with 100 litre tank used for filling and testing hydraulic systems in industrial plants.
- ✓ HEP0120 and HEP0250 models are supplied with 1.5 metre hose, pressure gauge and control valve.
- ✓ HEP0180 model is supplied with pressure gauge and double control valve. Hose is not supplied as standard.
- ✓ Supplied with a second gauge to regulate the pressure before filling the system.

**HEP0500**

- ✓ Working pressure: **500 bar**.
- ✓ Electric pump designed for filling, pressurizing and testing hydraulic and steam systems, in chemical, electric and pharmaceutical industry.
- ✓ Supplied without tank. To be connected directly to the water mains.
- ✓ During testing the pump can be physically disconnected from the circuit.
- ✓ Mounted on trolley with wheels and hooks for lifting the pump with straps.
- ✓ Control panel with automatic thermic protection and emergency stop button.
- ✓ Pressure can be set before the test, to avoid overpressure on the system.



Type **HEP**

Capacity **0 - 100 litres**

Max. pressure **20 - 500 bar**



HEP0180



HEP0500

Hydrotest Pump	Max. Pressure	Capacity	Flow	Outlet Port	Motor	Dimensions	Power	Weight
LARZEP	bar	litres	l/min	BSP	V/Hz	mm	kW	kg
HEP0020	20	12	15	1/2" BSP Female	230V / 50 Hz	250 x 530 x 410	0,75	17
HEP0050D	50	-	8	1/2" BSP Female	230V / 50 Hz	200 x 440 x 310	1,75	16
HEP0120	120	100	4	1/2" BSP Female	230-400V / 50 Hz	500 x 500 x 750	1,50	66
HEP0180	180	100	13	3/8" BSP Male	400V / 50 Hz	500 x 500 x 750	5,00	66
HEP0250	250	100	13	1/2" BSP Female	400V / 50 Hz	500 x 500 x 750	6,35	76
HEP0500	500	-	15	3/8" BSP Male	400V / 50 Hz	975 x 570 x 600	15,00	135

**TORQUE WRENCH PUMPS**



- ✓ Tanks from 5 to 14 litres.
- ✓ Push button controlled solenoid valves.
- ✓ Internal safety valve set at 700 bar to prevent overpressure.
- ✓ Precision adjustable pressure regulating valve.
- ✓ 4 way / 2 position valve.
- ✓ For use with double acting torque wrenches only.
- ✓ Supplied with a 3 metre cable with remote pendant.
- ✓ Easy to operate: Pressing the button advances the tool and when releasing it retracts automatically.
- ✓ Option: Oil cooler. Add 'H' to the reference.



**AZ3**  
Coupler 3/8"-18 NPT included.



P.114

**AR2**  
Hoses

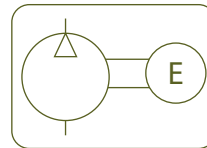


P.112



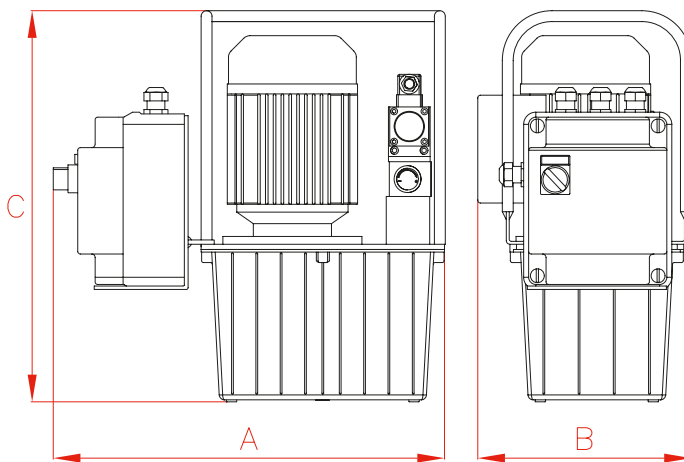


**TORQUE WRENCH PUMP**



Type	<b>HAT</b>
Capacity	<b>5- 14 litres</b>
Max. pressure	<b>700 bar</b>

HAT PUMPS



Capacity	A	B	C
l	mm	mm	mm
<b>5</b>	460	280	540
<b>10</b>	500	350	600
<b>14</b>	540	368	615

Tank	Flow at 700 bar	Flow at 60 bar	Valve	50 Hz Single Phase		60Hz Single Phase		Power	Weight
				l/min	l/min	ways/positions	230 V		
<b>5</b>	0,36	4	4/2	HAT7291	HAT7295	HAT7293	HAT7296	0,75	35
<b>10</b>	0,36	4	4/2	HAT7391	HAT7395	HAT7393	HAT7396	0,75	41
<b>14</b>	0,36	4	4/2	HAT7491	HAT7495	HAT7493	HAT7496	0,75	45

Tank	Flow at 700 bar	Flow at 60 bar	Valve	50/60 Hz 3 Phase		Power	Weight
				l/min	l/min		
<b>5</b>	0,36	4	4/2	HAT7292	HAT7294	0,75	32
<b>10</b>	0,36	4	4/2	HAT7392	HAT7394	0,75	38
<b>14</b>	0,36	4	4/2	HAT7492	HAT7494	0,75	42