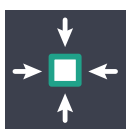
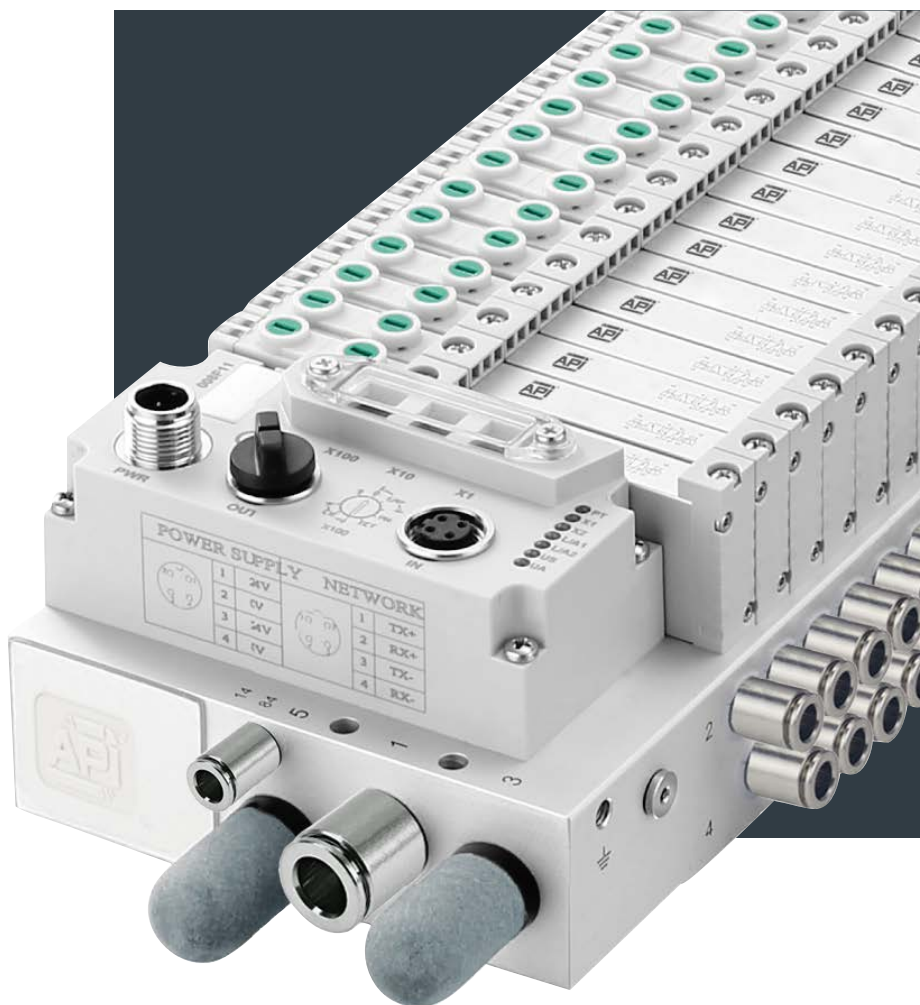


VALVE TERMINALS

series A5



Compact design



Flexibility



Two sizes



Easy assembly



Modular



LED® for 360° visibility



Push and two detented positions manual override

Sub-D 25 poles cable female



Sub-D interface



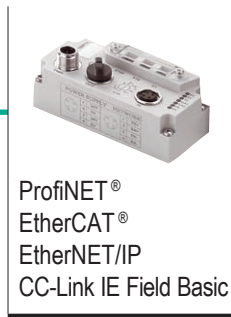
Power supply cable M12 female



Communication cable M12 male



Fieldbus interface



Communication cable M12 male/male



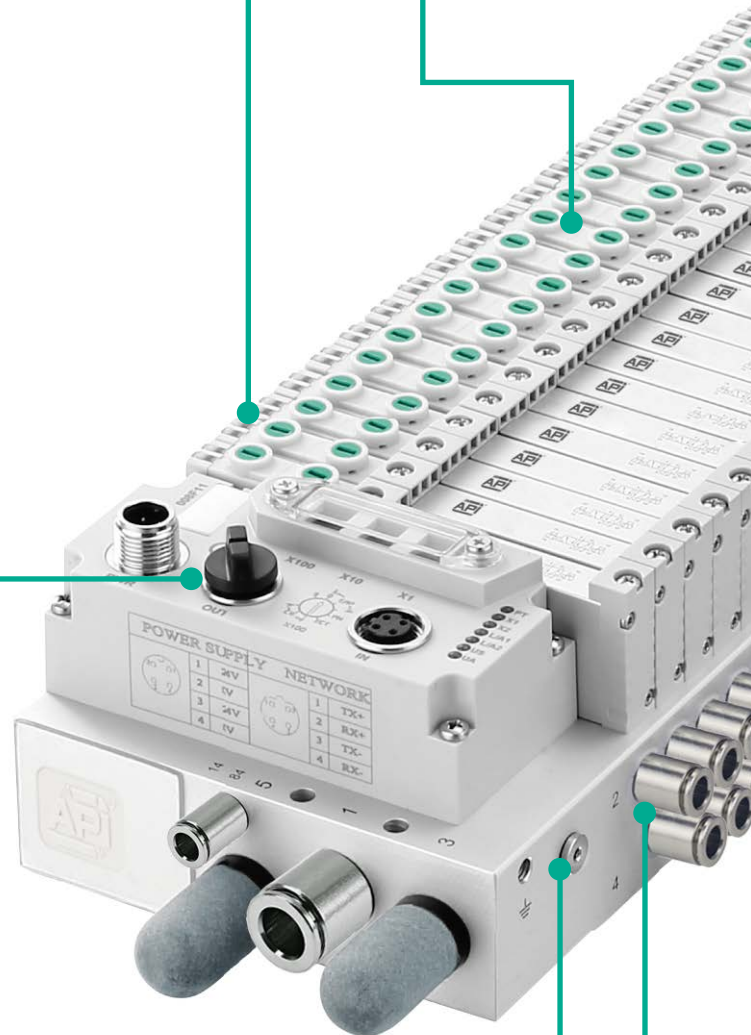
Communication cable M12 male/RJ45



IO-Link® cable M12 female



IO-Link® interface



Internal pilot



External pilot



VALVE TERMINALS

series A5

24V DC
1,3 W (max)

Coils features

4 ÷ 24 base positions.
Available:
4, 5, 6, 7, 8, 9, 10, 12, 16, 20, 24

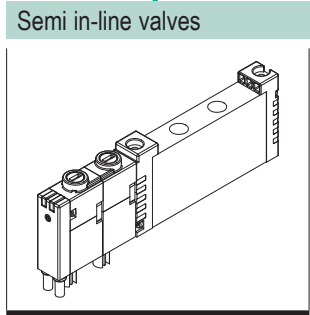
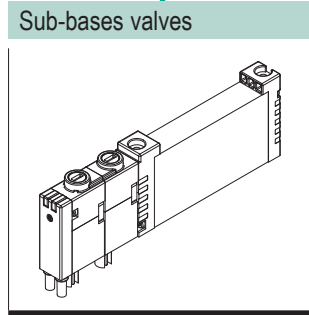
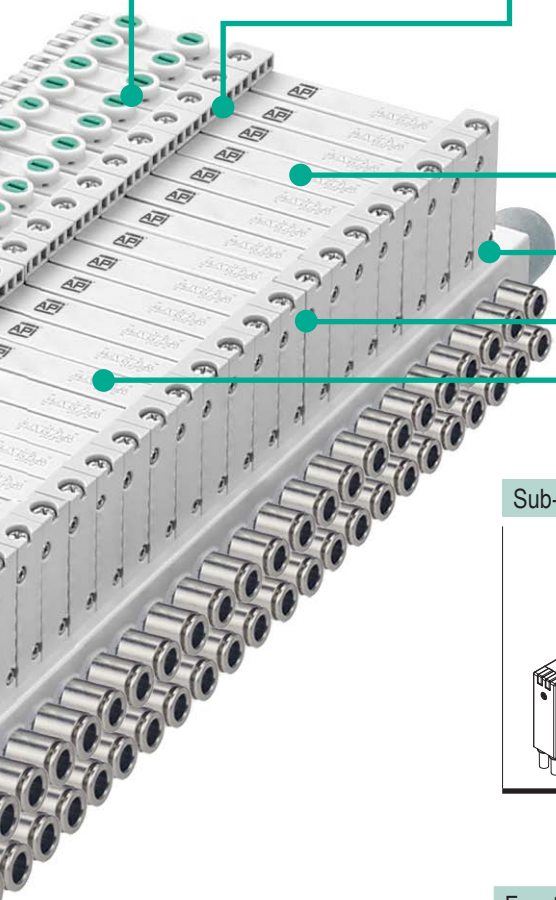
Base position options

Sub-D	24 valves single coil 12 valves double coil
Fielbus	24 valves single or double coil
IO-Link®	

Max number of valves

Blanking plates for unused
positions available

Plates



Two sizes valves

Size	Flow
10 mm	300 l/min
14 mm	600 l/min

Threaded ports for fitting connection

Size	Thread	Tube Ø
10 mm	M7	4 ÷ 6
14 mm	G1/8"	4 ÷ 8

Functions	Symbol
5/2 solenoid/spring	
5/2 solenoid/solenoid	
5/3 open centres	
5/3 closed centres	
5/3 pressurized centres	
2-3/2 normally closed	
2-3/2 normally open	
2-3/2 normally closed-normally open	



A.P.I. S.r.l.

Via Cornaggia, 107
22076 Mozzate (CO) – Italy

Tel. +39 0331.82.35.11
Fax. +39 0331.82.34.80
info@api-pneumatic.com

api-pneumatic.com