

Condensate Pot & Air Distribution Manifolds

The best partner for value creation
We support the innovations of customer



04



Catalogue No. S-LOK Jan.2023

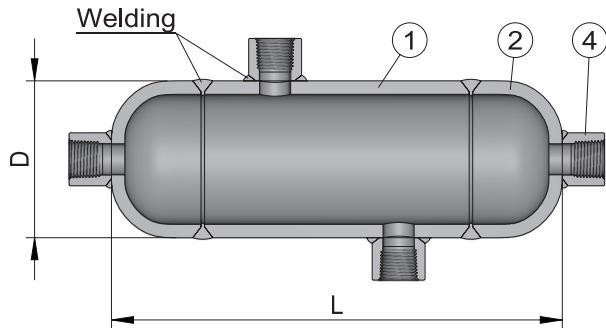
Condensate Pot (CDP Series)

Features

- Variety material and shapes available.
- Working pressure up to Class 2500.
- Variety of end connections.
- 100% factory pressure tested. (PT test standard, optional RT test)

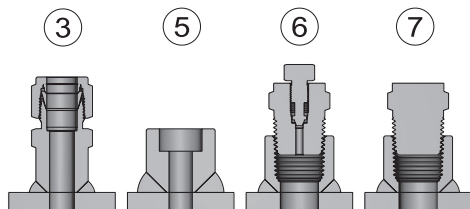


Material of Construction & Dimension



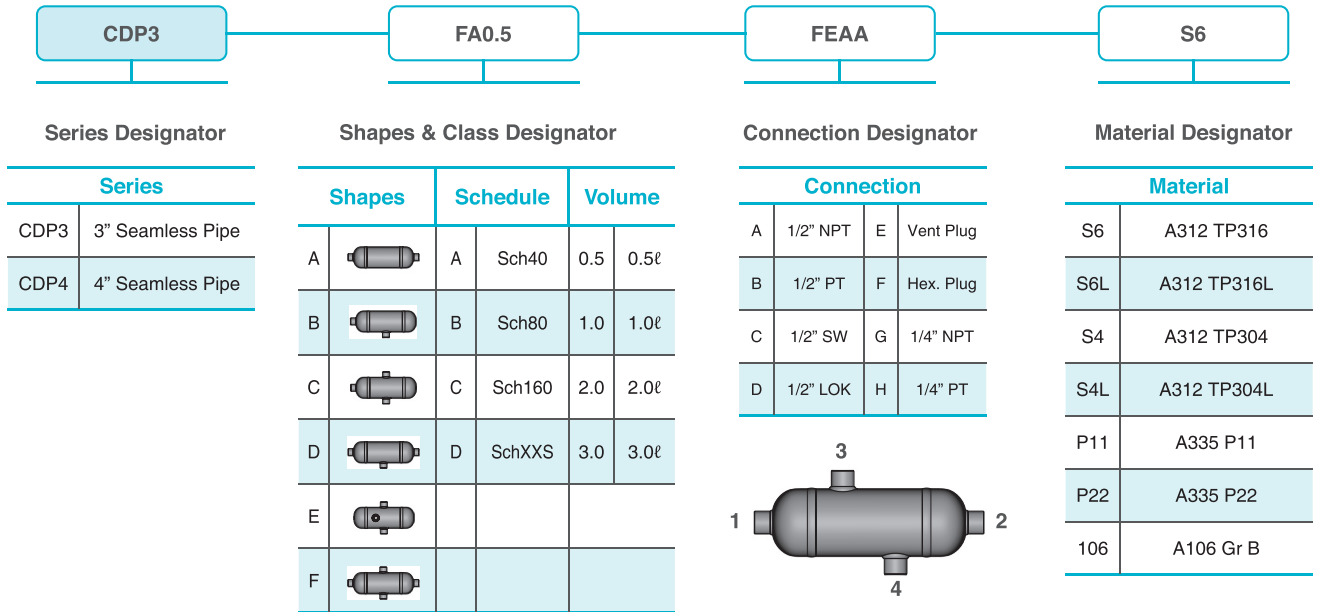
Pipe Size	D	L
3"	88.9	214
4"	114.3	360

- L length is adjustable according to client request to fit the system design.



Item	Component	Material	
		Stainless Steel	Carbon Steel
1	Pipe	A312 TP316	A106 Gr B
2	Cap	A403 WP316	A234 WPB
3	S-LOK Fitting (Pipe Weld)	Stainless Steel	Carbon Steel
4	Half Coupling (Thread)		
5	Half Coupling (Socket Weld)		
6	Half Coupling With Vent Plug		
7	Half Coupling With Hex Plug		

Ordering Information



* Length is adjustable according to client request to fit the Volume design.

Air Distribution Manifolds (SADM Series)

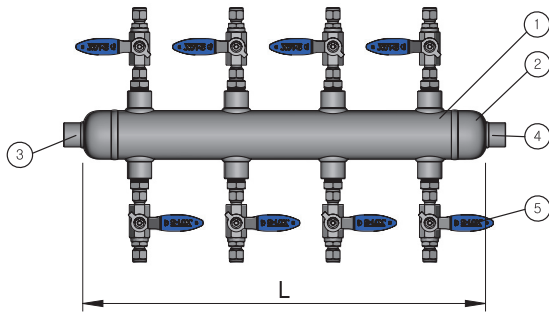
Features

- Variety material and wall thickness available.
- Welded body construction.
- Variety of end connections. (Optional flanged and thread inlet)
- 100% factory pressure tested. (PT test standard, optional RT test)

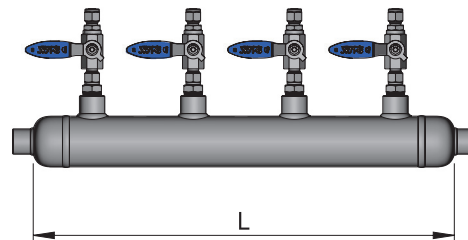


Material of Construction & Dimension

Double Side



Single Side



- L length is adjustable according to client request to fit the system design.

Item	Component	Material	
		Stainless Steel	Carbon Steel
1	Pipe	A312 TP316	A106 Gr B
2	Cap	A403 WP316	A234 WPB
3	Inlet (Half Coupling)	Stainless Steel	Carbon Steel
4	Half Coupling		
5	S-LOK Ball Valve		
6	S-LOK Needle Valve		

Ordering Information

Series Designator	Class & Inlet Designator	Outlet & Vent Designator	Material Designator																																																							
SADM3	DBF8N	BS8T20-F12N BS8T20-1*	S6																																																							
<table border="1"> <thead> <tr> <th colspan="2">Series</th> </tr> </thead> <tbody> <tr> <td>SADM1</td> <td>1" Seamless Pipe</td> </tr> <tr> <td>SADM2</td> <td>2" Seamless Pipe</td> </tr> <tr> <td>SADM3</td> <td>3" Seamless Pipe</td> </tr> <tr> <td>SADM4</td> <td>4" Seamless Pipe</td> </tr> </tbody> </table>	Series		SADM1	1" Seamless Pipe	SADM2	2" Seamless Pipe	SADM3	3" Seamless Pipe	SADM4	4" Seamless Pipe	<table border="1"> <thead> <tr> <th>Shapes</th> <th>Schedule</th> <th>Inlet</th> </tr> </thead> <tbody> <tr> <td>D Double</td> <td>A Sch40</td> <td>4 1/4"</td> </tr> <tr> <td>S Single</td> <td>B Sch80</td> <td>6 3/8"</td> </tr> <tr> <td></td> <td>C Sch160</td> <td>8 1/2"</td> </tr> <tr> <td></td> <td>D SchXXS</td> <td>12 3/4"</td> </tr> <tr> <td></td> <td></td> <td>16 1"</td> </tr> </tbody> </table> <p>- Thread shape (M : Male, F : Female) - Thread designator (N : NPT, R : PT) ex) F8N : Female 1/2" NPT - S-LOK end type (S*T : Inch, S*M : Metric) ex) S8T : S-LOK 1/2", S25M : S-LOK 25mm</p>	Shapes	Schedule	Inlet	D Double	A Sch40	4 1/4"	S Single	B Sch80	6 3/8"		C Sch160	8 1/2"		D SchXXS	12 3/4"			16 1"	<table border="1"> <thead> <tr> <th>Connection</th> <th>Outlet & Vent</th> </tr> </thead> <tbody> <tr> <td>B Ball Valve</td> <td>4 1/4"</td> </tr> <tr> <td rowspan="2">N Needle Valve</td> <td>6 3/8"</td> </tr> <tr> <td>8 1/2"</td> </tr> <tr> <td>Port Q'ty</td> <td>12 3/4"</td> </tr> <tr> <td>2 ~ 20</td> <td>16 1"</td> </tr> </tbody> </table> <p>* When the Vent's specification is same as Outlet specification, add -1. (1 means the Vent port quantity.)</p>	Connection	Outlet & Vent	B Ball Valve	4 1/4"	N Needle Valve	6 3/8"	8 1/2"	Port Q'ty	12 3/4"	2 ~ 20	16 1"	<table border="1"> <thead> <tr> <th colspan="2">Material</th> </tr> </thead> <tbody> <tr> <td>S6</td> <td>A312 TP316</td> </tr> <tr> <td>S6L</td> <td>A312 TP316L</td> </tr> <tr> <td>S4</td> <td>A312 TP304</td> </tr> <tr> <td>S4L</td> <td>A312 TP304L</td> </tr> <tr> <td>P11</td> <td>A335 P11</td> </tr> <tr> <td>P22</td> <td>A335 P22</td> </tr> <tr> <td>106</td> <td>A106 Gr B</td> </tr> </tbody> </table>	Material		S6	A312 TP316	S6L	A312 TP316L	S4	A312 TP304	S4L	A312 TP304L	P11	A335 P11	P22	A335 P22	106	A106 Gr B
Series																																																										
SADM1	1" Seamless Pipe																																																									
SADM2	2" Seamless Pipe																																																									
SADM3	3" Seamless Pipe																																																									
SADM4	4" Seamless Pipe																																																									
Shapes	Schedule	Inlet																																																								
D Double	A Sch40	4 1/4"																																																								
S Single	B Sch80	6 3/8"																																																								
	C Sch160	8 1/2"																																																								
	D SchXXS	12 3/4"																																																								
		16 1"																																																								
Connection	Outlet & Vent																																																									
B Ball Valve	4 1/4"																																																									
N Needle Valve	6 3/8"																																																									
	8 1/2"																																																									
Port Q'ty	12 3/4"																																																									
2 ~ 20	16 1"																																																									
Material																																																										
S6	A312 TP316																																																									
S6L	A312 TP316L																																																									
S4	A312 TP304																																																									
S4L	A312 TP304L																																																									
P11	A335 P11																																																									
P22	A335 P22																																																									
106	A106 Gr B																																																									