



QUICK RELEASE & MULTI-K COUPLINGS

AGRICULTURE



SMALL TRACTOR



4

MEDIUM TRACTOR



8

BIG TRACTOR



12

COMBINE HARVESTER



16



**ARGUS quick release couplings
precision and performance for modern agriculture**

Alfagomma, a global leader in fluid handling systems since 1956, is synonymous with innovation, quality, and reliability. Renowned for its decades of expertise and comprehensive product portfolio, Alfagomma develops and supplies hydraulic and industrial flexible hoses, manipulated tubes, quick release couplings, fittings, and expansion joints.

Serving different customers – including Original Equipment Manufacturers (OEMs), major distributors, and leading end-users – the company delivers tailored solutions to meet the demands of industries worldwide, including agriculture.

The ARGUS brand, an integral part of the Alfagomma Group, embodies this expertise by offering quick release couplings specifically designed to meet the rigorous requirements of machinery across various industries, including agriculture.

Agriculture is the backbone of the global economy, driving both food security and technological progress. Modern farming machinery must perform under challenging conditions, from extreme weather to intensive use, necessitating robust hydraulic systems that ensure uninterrupted operation.

Alfagomma, through its ARGUS quick release couplings, delivers solutions precisely engineered to meet these challenges.

ARGUS quick release couplings are designed to provide exceptional hydraulic performance, enabling seamless and leak-free connections even in the toughest agricultural environments. Developed with OEMs in mind, these couplings enhance machinery efficiency and durability, making them the preferred choice for manufacturers seeking to integrate reliable, high-performing components into their equipment.

By choosing Alfagomma and ARGUS, OEMs gain access to a trusted partner with a proven track record of supporting the agricultural industry.



ARGUS

Reliable quick release couplings for small tractors

Designed for small tractors used in vineyards and orchards, these quick release couplings series ensure safe, under-pressure connections on the rear hydraulic lines. With one-handed operation and compatibility with ISO 5675 and ISO 7241-1-A standards, they deliver versatile and reliable performance for agricultural applications.

SRK series. The SRK quick release couplings provide secure, pressure-resistant connections with enhanced stability, ensuring a precise fit between coupling halves for reliable hydraulic performance in the field and effective fluid leak prevention.

SPK series. The SPK quick release couplings provide rapid coupling and uncoupling on tractor hydraulic lines. Equipped with safety valves to prevent accidental closure, they ensure controlled flow, making them ideal for sensitive agricultural applications.

SVK-1H series. The SVK-1H quick release couplings provide efficient hydraulic connections for small tractors in vineyards and orchards, they ensure secure, leak-free connections, improving hydraulic system performance in compact equipment.



These series are made from durable galvanized steel with high-performance seals, suitable for mineral oil-based fluids and flame-resistant hydraulic fluids.

// SRK-1H

Poppet valve

- Compatible with ISO 7241-1-A
- Working pressure 250 bar
- DN 13
- Connectable with male part under pressure
- Break-away function
- One-shot connection under pressure
- One-hand push pull operation



// SRK-1H PE PLUS

Poppet valve

- Compatible with ISO 7241-1-A
- Working pressure 250 bar
- DN 13
- Connectable with male part under pressure and female part under full pressure
- Break-away function
- One-shot connection under pressure
- One-hand push pull operation
- No back drainage required



// SPK-1H

Poppet valve

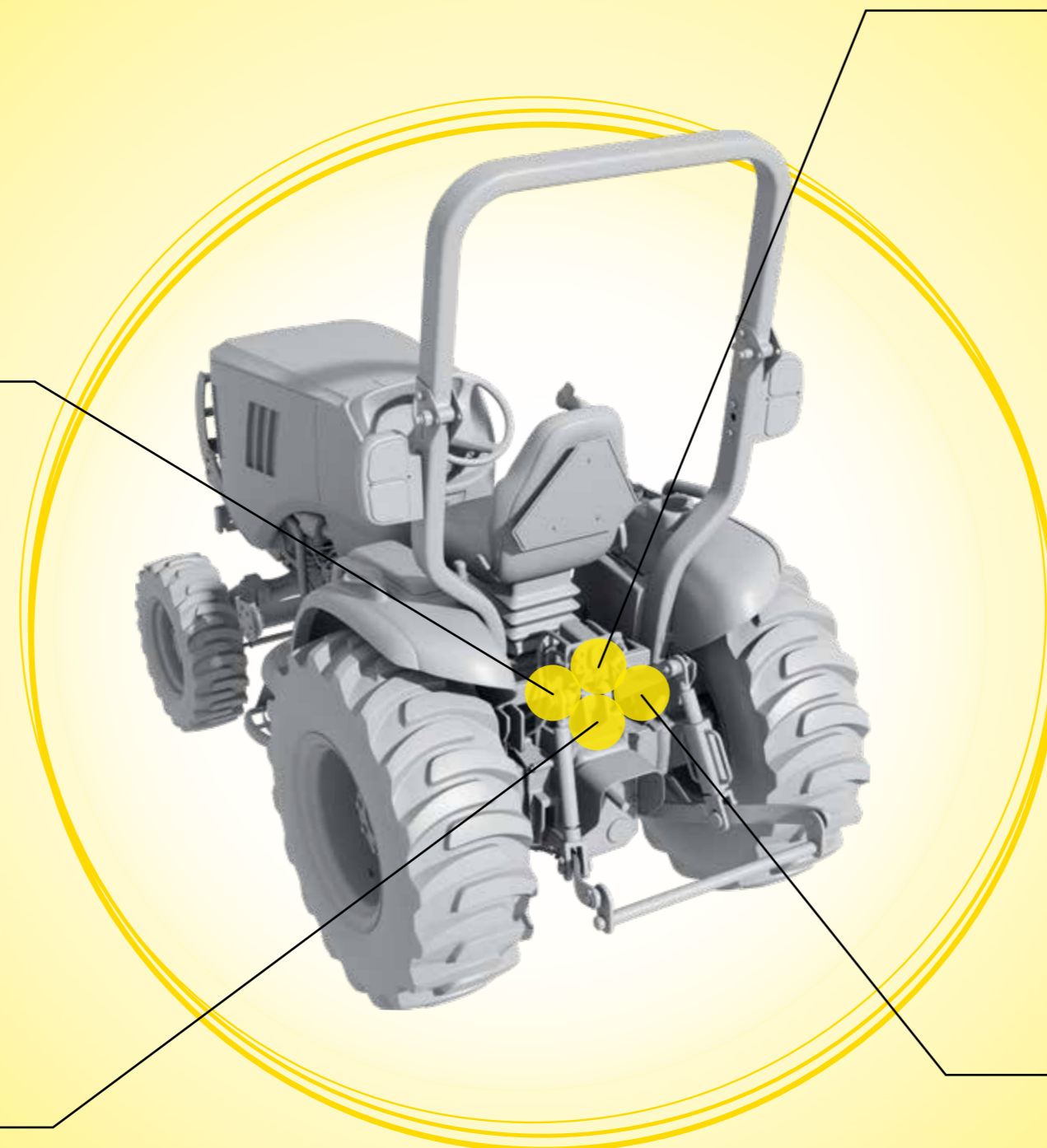
- Compatible with ISO 7241-1-A
- Working pressure 250 bar
- DN 13
- Connectable with male part under pressure
- Break-away function
- One-hand push pull operation
- Low pressure drop



// SVK-1H-ISO-A

Poppet valve

- Compatible with ISO 7241-1-A, and with ISO 5675, and SAE J 1036
- Working pressure max 400 bar
- DN 6 to 25
- Break-away function
- One-hand push pull operation
- Pull-off couplings function
- Low pressure drop



Quick release couplings, diagnostic connections, and multi-connection plates for medium-sized tractors

Medium-sized tractors are used for a wide range of agricultural tasks, including soil preparation, and planting, providing essential power and flexibility. ARGUS offers quick release couplings, diagnostic couplings, and multi-connection plates for these tractors, enhancing their versatility and efficiency in agricultural operations.

SRK series. The SRK quick release couplings provide secure, pressure-resistant connections with enhanced stability, ensuring a precise fit between coupling halves for reliable hydraulic performance in the field and effective fluid leak prevention.

BK series. These quick release couplings for brake system, are essential for controlling the braking of equipment attached to tractors. These couplings enable secure hydraulic connections, ensuring that tools and attachments can be braked effectively during operation. Designed for quick disconnection with low leakage.

DK series. Diagnostic couplings are specifically designed for pressure detection in oleo-hydraulic circuits, allowing a quick connection/disconnection of the measuring equipment.

Multi-K. ARGUS multi-connection plates streamline the hydraulic line connection between the tractor and agricultural implements, ensuring efficiency, safety, and a compact design.



ARGUS manufactures every kind of quick release and multi-coupling system according to customer's needs or specifications.

// SRK-1H

Poppet valve

- Compatible with ISO 7241-1-A
- Working pressure 250 bar
- DN 13
- Connectable with male part under pressure
- Break-away function
- One-shot connection under pressure
- One-hand push pull operation



// SRK-1H PE PLUS

Poppet valve

- Compatible with ISO 7241-1-A
- Working pressure 250 bar
- DN 13
- Connectable with male part under pressure and female part under full pressure
- Break-away function
- One-shot connection under pressure
- One-hand push pull operation
- No back drainage required



// BK

Flat face

- Compatible with ISO 5676
- Working pressure 250 bar
- DN 10
- Compatibility with other couplings in-use
- Low leak-oil rates, eco-friendly
- Low pressure drop



// DK

Flat face

- Compatible with ISO 15171-1
- Working pressure 430 bar
- DN 6
- Compatibility with other couplings in-use
- Low leak-oil rates, eco-friendly
- Low pressure drop



// MULTI-K

Flat face

- All types of thread configurations for hose connections
- DN 10 to 25
- Seal and back-up ring in NBR and PTFE
- Lock lever in steel with galvanic protection
- Safetely block in steel and aluminium
- Designed to meet customer specifications



High-performance quick connect couplings and multi-connection plates designed for powerful large tractors

Large agricultural tractors are powerful machines equipped with advanced technology for heavy-duty tasks like plowing and planting, ensuring efficiency in large-scale farming. ARGUS supports their performance with quick release couplings, diagnostic couplings, and multi-connection plates, delivering reliable connections, minimizing downtime, and simplifying maintenance.



SRK series. The SRK quick release couplings provide secure, pressure-resistant connections with enhanced stability, ensuring a precise fit between coupling halves for reliable hydraulic performance in the field and effective fluid leak prevention.

SVK-1H series. The SVK-1H quick release couplings provide efficient hydraulic connections on large tractors, they ensure secure, leak-free connections, improving hydraulic system performance in compact equipment.

FPK series. The FPK quick release couplings enable efficient connection and disconnection of hydraulic lines in low or zero-pressure ranges. Featuring automatic flow control and a safety system against accidental uncoupling, they ensure reliable performance.

DK series. Diagnostic couplings are specifically designed for pressure detection in oleo-hydraulic circuits, allowing a quick connection/disconnection of the measuring equipment.

Multi-K. ARGUS multi-connection plates streamline the hydraulic line connection between the tractor and agricultural implements, ensuring efficiency, safety, and a compact design.

ARGUS products for large tractors simplify equipment changes, ensuring smooth operations during intensive workflows. Customizable to meet specific needs, they adapt seamlessly to the demands of every agricultural task, from planting to harvesting.

// SRK-1H

Poppet valve

- Compatible with ISO 7241-1-A
- Working pressure 250 bar
- DN 13
- Connectable with male part under pressure
- Break-away function
- One-shot connection under pressure
- One-hand push pull operation



// FPK

Flat Face

- Compatible with ISO 16028
- Working Pressure 350 bar
- DN 6 to 25
- Low leak-oil rates, eco-friendly
- Flow performance optimized by CFD



// SRK-1H PE PLUS

Poppet valve

- Compatible with ISO 7241-1-A
- Working pressure 250 bar
- DN 13
- Connectable with male part under pressure and female part under full pressure
- Break-away function
- One-shot connection under pressure
- One-hand push pull operation
- No back drainage required



// DK

Flat face

- Compatible with ISO 15171-1
- Working pressure 430 bar
- DN 6
- Compatibility with other couplings in-use
- Low leak-oil rates, eco-friendly
- Low pressure drop



// SVK-1H-ISO-A

Poppet valve

- Compatible with ISO 7241-1-A, and with ISO 5675, and SAE J 1036
- Working pressure max 400 bar
- DN 6 to 25
- Break-away function
- One-hand push pull operation
- Pull-off couplings function
- Low pressure drop



// MULTI-K

Flat face

- All types of thread configurations for hose connections
- DN 10 to 25
- Seal and back-up ring in NBR and PTFE
- Lock lever in steel with galvanic protection
- Safetely block in steel and aluminium
- Designed to meet customer specifications



Quick release couplings, diagnostic connections, and multi-connection plates for combine harvesters

Combine harvesters efficiently reap crops by cutting, threshing, and separating in one machine. Designed for large fields, they ensure high productivity on various terrains. ARGUS quick release couplings enable secure connections and fast maintenance. Industry-standard compatible, they enhance reliability, durability, and reduce downtime.

Multi-K. ARGUS multi-connection plates streamline the hydraulic line connection between the tractor and agricultural implements, ensuring efficiency, safety, and a compact design.

DK series. Diagnostic couplings are specifically designed for pressure detection in oleo-hydraulic circuits, allowing a quick connection/disconnection of the measuring equipment.

SVK-1H series. The SVK-1H quick release couplings provide efficient hydraulic in combine harvesters, enabling fast coupling and uncoupling of pressurized lines, they ensure secure, leak-free connections, improving hydraulic system performance in compact equipment.



ARGUS manufactures every kind of quick release and multi-coupling system according to customer's needs or specifications.

// MULTI-K

Flat face

- All types of thread configurations for hose connections
- DN 10 to 25
- Seal and back-up ring in NBR and PTFE
- Lock lever in steel with galvanic protection
- Safetely block in steel and aluminium
- Designed to meet customer specifications



// DK

Flat face

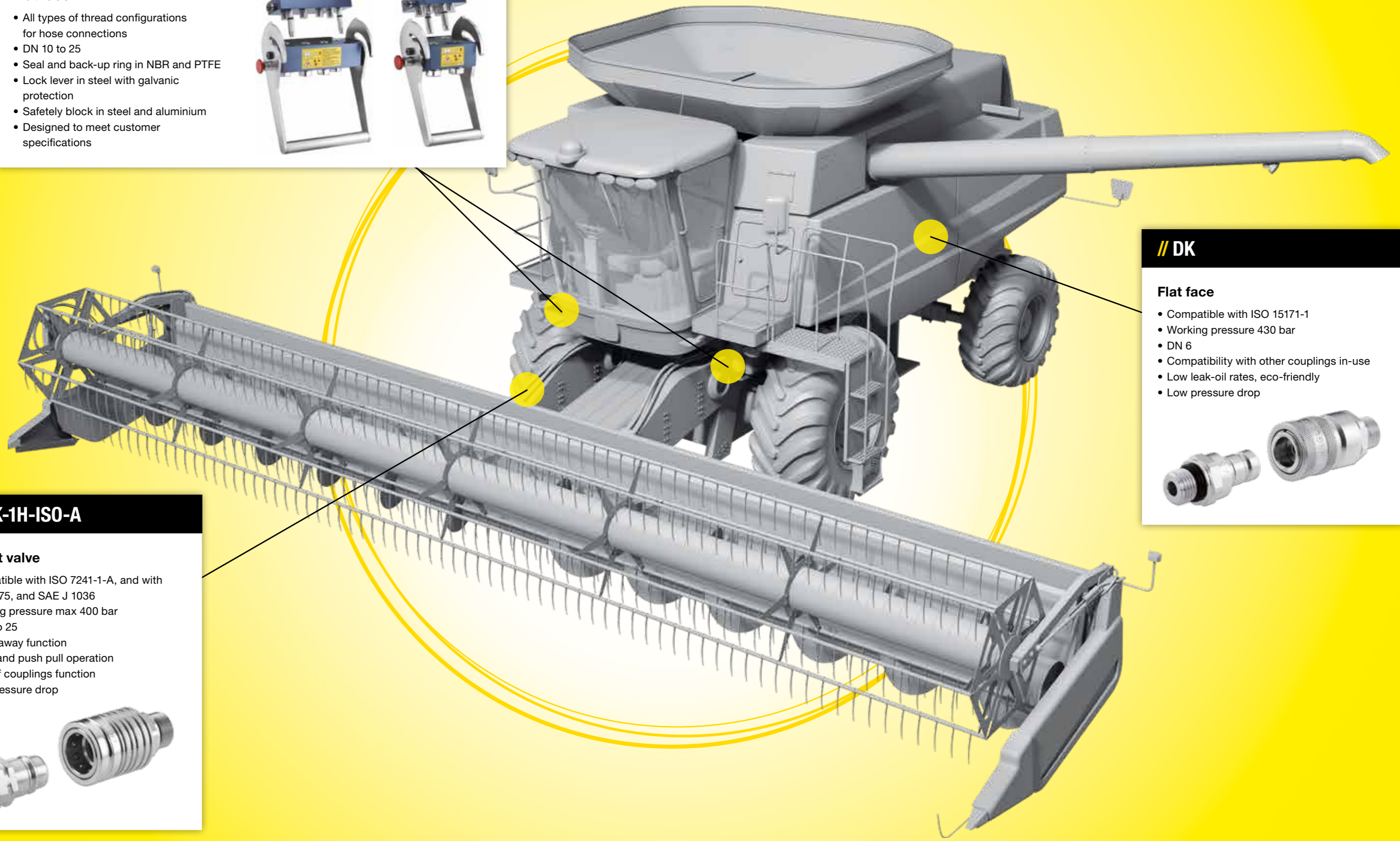
- Compatible with ISO 15171-1
- Working pressure 430 bar
- DN 6
- Compatibility with other couplings in-use
- Low leak-oil rates, eco-friendly
- Low pressure drop



// SVK-1H-ISO-A

Poppet valve

- Compatible with ISO 7241-1-A, and with ISO 5675, and SAE J 1036
- Working pressure max 400 bar
- DN 6 to 25
- Break-away function
- One-hand push pull operation
- Pull-off couplings function
- Low pressure drop





Maximizing efficiency in agricultural implements

Alfagomma and the ARGUS brand not only provide quick release couplings for agricultural machinery but also offer tailored solutions for the specific attachments used in modern farming equipment.



These couplings are engineered for use with implements such as plows, tillers, cultivators, manure spreaders, feed mixers, cattle feed dispensers, and round balers.



Notes



HEADQUARTER

Alfagomma SpA

Via Torri Bianche 1

20871 Vimercate (MB) Italy

marketing@alfagomma.com

www.alfagomma.com